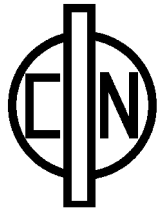


25&30W DC-DC Converter P30C-Series



PHI-CON

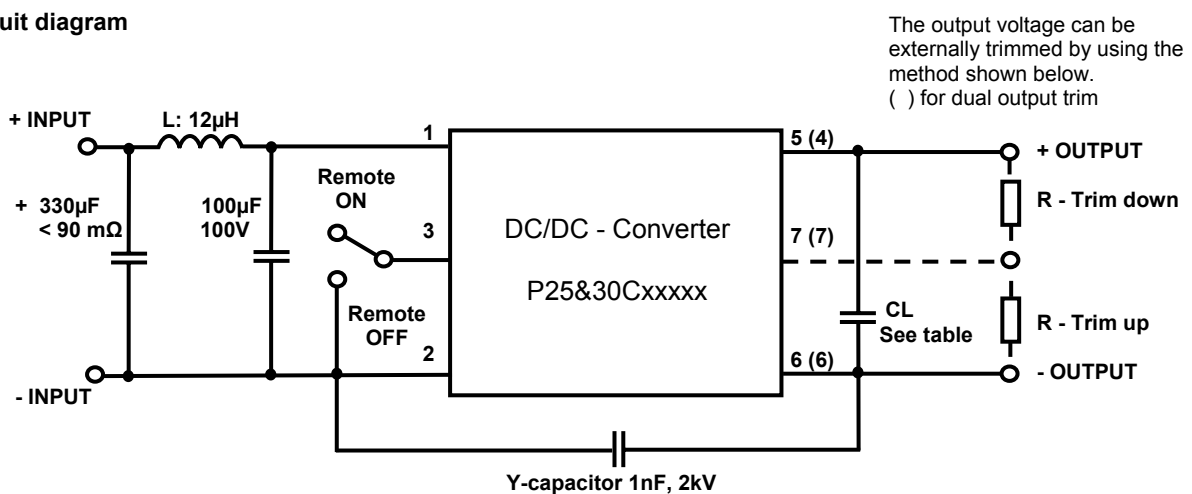
- High efficiency up to 91%
- 2:1 wide input voltage range
- Over current protection
- Over voltage protection
- Over temperature protection
- Continuous short circuit protection
- Adjustable output voltage
- On/Off - remote control input
- Soft start
- Standard 2" x 1.6" x 0.4" package



Model selection guide

Typ	Input voltage range [V _{dc}]	Input current		Output voltage [V _{dc}]	Output current range [mA]	Efficiency typ. [%]	Capacitor load max. [μF]
		no-load [mA]	full-load [mA]				
Single output							
P25C123R3S	9...18	30	1867	3.3	0...5500	83	15000
P25C1205S	9...18	30	2480	5	0...5000	86	10000
P30C1212S	9...18	30	2850	12	0...2500	90	2200
P30C1215S	9...18	30	2850	15	0...2000	90	1000
P25C243R3S	18...36	25	922	3.3	0...5500	84	15000
P25C2405S	18...36	25	1220	5	0...5000	87	10000
P30C2412S	18...36	25	1400	12	0...2500	91	2200
P30C2415S	18...36	25	1400	15	0...2000	91	1000
P25C483R3S	36...75	20	460	3.3	0...5500	84	15000
P25C4805S	36...75	20	610	5	0...5000	87	10000
P30C4812S	36...75	20	700	12	0...2500	91	2200
P30C4815S	36...75	20	700	15	0...2000	91	1000
Dual output							
P30C1212D	9...18	30	2850	±12	0...±1250	90	2 x 1000
P30C1215D	9...18	30	2850	±15	0...±1000	90	2 x 680
P30C2412D	18...36	25	1400	±12	0...±1250	91	2 x 1000
P30C2415D	18...36	25	1400	±15	0...±1000	91	2 x 680
P30C4812D	36...75	20	710	±12	0...±1250	90	2 x 1000
P30C4815D	36...75	20	710	±15	0...±1000	90	2 x 680

Circuit diagram



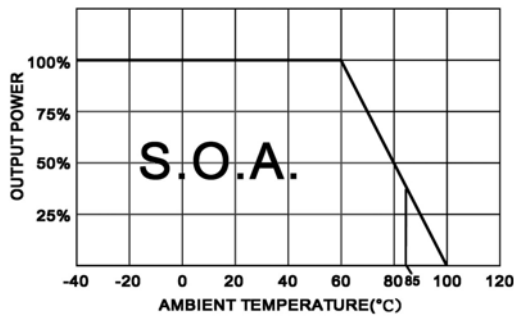
25&30W DC-DC Converter P30C-Series

Specifications

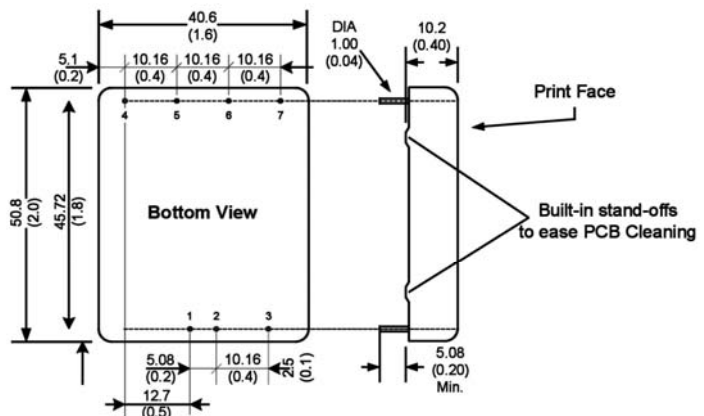
Input	
Input Filter:	Pi- type
Under voltage lockout	12V Type: on @ 8.6V, off @ 7.9V 24V Type: on @ 17.6V, off @ 16V 48V Type: on @ 33.5V, off @ 30.5V
Input surge voltage 100 ms max.	12 V input : -0.7...25 V _{DC} 24 V input : -0.7...50 V _{DC} 48 V input : -0.7...100 V _{DC}
Start up time	20ms typ.
input current remote "off"	2.5mA @ nominal Vin
Isolation	
Isolation voltage	Input to output 1500 V _{DC} , 3sec.
Resistance	10 ⁹ Ω, min
Capacitance	1200 pF, max
Output	
over voltage protection with Z-diode clamp	3.3V-output-type 3.9V 5V-output-type 6.2V (±)12V-output-type 15V (±15V) (±)15V-output-type 18V (±18V)
Voltage accuracy	±1%
Voltage adjustability	±10%
Minimum load	0%
Ripple and noise (at 20 MHz BW)	75mVp-p
Short circuit protection	Hiccup, automatics recovery
Line voltage regulation	± 0.5%
Load voltage regulation	±0.5% @ 10...100% load
Cross regulation @ dual output	±5%
Temperature coefficient	± 0.02% / °C
Transient response recovery time	200μs
Over load protection	120% typ. of full load

General	
Switching frequency	270 kHz, typ.
Standard in accordance with	IEC 60950-1 EN60950-1
Conducted and radiated emissions	EN55022 level A
ESD	EN61000-4-2 pref. criteria B
Radiated immunity	EN61000-4-3 pref. criteria A
Fast transient	EN61000-4-4 pref. criteria A
Surge	EN61000-4-5 pref. criteria A
Conducted immunity	EN61000-4-6 pref. criteria A
PFMF	EN61000-4-8 pref. criteria A
MTBF	>1 Mhrs
Environmental	
Operating temperature	-40°C to +85°C (with derating)
Over temperature protection	110°C
Storage temperature	-55 °C to +125 °C
Maximum case temp.	+100 °C
Humidity	95% rel. Humidity
Thermal impedance	Free-air convection 10°C/W
Thermal shock	MIL-STD-810D
Vibration	10...55Hz, 10G, 30Min. X,Y,Z
Physical	
Dimensions	50.8 x 40.6 x 10.2 mm
Weight	48 g
Case material	Nickel-coated copper
Potting material	Epoxy (UL94-V0)
Soldering temperature	260°C, 10s, 1.5mm from case
Note	
Remote control on	Open input or 2.5V...5.5V
Remote control off	Short to -Vin or 0V...0.8V

Derating Curve



Dimensions



- All dimensions are typical in millimeters (inches).
1. Pin diameter: 1.0 ±0.05 (0.04 ±0.002)
 2. Pin pitch tolerance: ±0.35 (±0.014)
 3. Case Tolerance: ±0.5 (±0.02)

Pin connections

Pin	Single	Dual
1	+ Input	+ Input
2	- Input	- Input
3	CTRL	CTRL
4	No Pin	+ Output
5	+ Output	Common
6	- Output	- Output
7	Trim	Trim

Life Support Policy: HY-LINE does not authorize the use of any of its products for use in life support devices or systems without the express written approval of an officer of the Company. Life support systems are devices which support or sustain life, and whose failure to perform, when properly used in accordance with instructions for use provided in the labeling, can be reasonably expected to result in significant injury to the user. Rev: 2/09 f