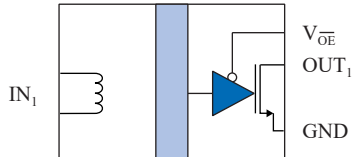
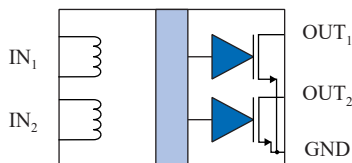


## Passive-Input Digital Isolators – Open Drain Outputs

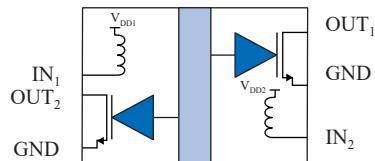
### Functional Diagrams



**IL610A**



**IL611A**



**IL612A**

### Features

- 10 Mbps data rate
- Flexible inputs with very wide input voltage range
- 5 mA input current
- Failsafe output (logic high output for zero coil current)
- No carrier or clock for low EMI emissions and susceptibility
- 3 V to 5 V power supplies
- 1000 V<sub>RMS</sub>/1500 V<sub>DC</sub> high voltage endurance
- 44000 year barrier life
- Low power dissipation
- -40°C to 85°C temperature range
- UL 1577 recognized; IEC 60747-5-5 (VDE 0884) certified
- 8-Pin MSOP, SOIC, and PDIP packages

### Applications

- General purpose optocoupler replacement
- Wired-OR alarms
- SPI interface
- I<sup>2</sup>C
- RS-485, RS-422, or RS-232
- Space-critical multi-channel applications
- Isolated relays and actuators

### Description

The IL600A-Series are isolated signal couplers with open-drain outputs. They have a similar interface but better performance and higher package density than optocouplers.

The devices are manufactured with NVE's patented\* IsoLoop<sup>®</sup> spintronic Giant Magnetoresistive (GMR) technology for small size, high speed, and low power.

A unique ceramic/polymer composite barrier provides excellent isolation and virtually unlimited barrier life.

A resistor sets the input current; a capacitor in parallel with the current-limit resistor provides improved dynamic performance.

These versatile components simplify inventory requirements by replacing a variety of optocouplers, functioning over a wide range of data rates, edge speeds, and power supply levels. The devices are available in MSOP, SOIC, and PDIP packages, as well as bare die.

## Absolute Maximum Ratings<sup>(1)</sup>

Parameters	Symbol	Min.	Typ.	Max.	Units	Test Conditions
Storage Temperature	T <sub>S</sub>	-55 <sup>(2)</sup>		150	°C	
Ambient Operating Temperature	T <sub>A</sub>	-40 <sup>(3)</sup>		85	°C	
Supply Voltage	V <sub>DD</sub>	-0.5		7	V	
DC Input Current	I <sub>IN</sub>	-25		25	mA	
AC Input Current (Single-Ended Input)	I <sub>IN</sub>	-35		35	mA	
AC Input Current (Differential Input)	I <sub>IN</sub>	-75		75	mA	
Output Voltage	V <sub>O</sub>	-0.5		V <sub>DD</sub> +1.5	V	
Maximum Output Current	I <sub>O</sub>	-10		10	mA	
ESD			2		kV	HBM

Note 1: Operating at absolute maximum ratings will not damage the device. Parametric performance is not guaranteed at absolute maximum ratings.

Note 2: -55°C applies to all except IL611A-1E, IL611A-1ETR7 and IL611A-1ETR13. -20°C applies to IL611A-1E, IL611A-1ETR7 and IL611A-1ETR13

Note 3: -40°C applies to all except IL611A-1E, IL611A-1ETR7 and IL611A-1ETR13. -20°C applies to IL611A-1E, IL611A-1ETR7 and IL611A-1ETR13

## Recommended Operating Conditions

Parameters	Symbol	Min.	Typ.	Max.	Units	Test Conditions
Ambient Operating Temperature	T <sub>A</sub>	-40 <sup>(3)</sup>		85	°C	
Supply Voltage	V <sub>DD</sub>	3.0		5.5	V	
Open Drain Reverse Voltage	V <sub>SD</sub>	-0.5			V	
Open Drain Voltage	V <sub>DS</sub>			6.5	V	
Open Drain Load Current	I <sub>OD</sub>			7	mA	
Common Mode Input Voltage	V <sub>CM</sub>			400	V <sub>RMS</sub>	

## Insulation Specifications

Parameters	Symbol	Min.	Typ.	Max.	Units	Test Conditions
Creepage Distance (external)						
MSOP		3.01			mm	
0.15" SOIC		4.03			mm	
PDIP		7.08			mm	
Total Barrier Thickness		0.012	0.013		mm	
Leakage Current			0.2		μA	240 V <sub>RMS</sub> , 60 Hz
Barrier Resistance	R <sub>IO</sub>		>10 <sup>14</sup>		Ω	500 V
Barrier Capacitance	C <sub>IO</sub>		7		pF	f = 1 MHz
Comparative Tracking Index	CTI	≥175			V	Per IEC 60112
High Voltage Endurance (Maximum Barrier Voltage for Indefinite Life)	AC	V <sub>IO</sub>	1000		V <sub>RMS</sub>	At maximum operating temperature
	DC		1500		V <sub>DC</sub>	
Barrier Life			44000		Years	100°C, 1000 V <sub>RMS</sub> , 60% CL activation energy

## Safety and Approvals

---

**IEC 60747-5-5 (VDE 0884)** (File Number 5016933-4880-0001)

- Working Voltage ( $V_{IORM}$ ) 600  $V_{RMS}$  (848  $V_{PK}$ ); basic insulation; pollution degree 2
- Transient overvoltage ( $V_{IOTM}$ ) and surge voltage ( $V_{IOSM}$ ) 4000  $V_{PK}$
- Each part tested at 1590  $V_{PK}$  for 1 second, 5 pC partial discharge limit
- Samples tested at 4000  $V_{PK}$  for 60 sec.; then 1358  $V_{PK}$  for 10 sec. with 5 pC partial discharge limit

**IEC 61010-1** (Edition 2; TUV Certificate Numbers N1502812; N1502812-101)

Reinforced Insulation; Pollution Degree II; Material Group III

Part No. Suffix	Package	Working Voltage
-1	MSOP	150 $V_{RMS}$
-2	PDIP	300 $V_{RMS}$
-3	SOIC	150 $V_{RMS}$
None	Wide-body SOIC/True 8™	300 $V_{RMS}$

**UL 1577** (Component Recognition Program File Number E207481)

Each part other than MSOP tested at 3000  $V_{RMS}$  (4240  $V_{PK}$ ) for 1 second; each lot sample tested at 2500  $V_{RMS}$  (3530  $V_{PK}$ ) for 1 minute  
MSOP tested at 1200  $V_{RMS}$  (1768  $V_{PK}$ ) for 1 second; each lot sample tested at 1500  $V_{RMS}$  (2121  $V_{PK}$ ) for 1 minute

## Soldering Profile

---

Per JEDEC J-STD-020C; MSL 1

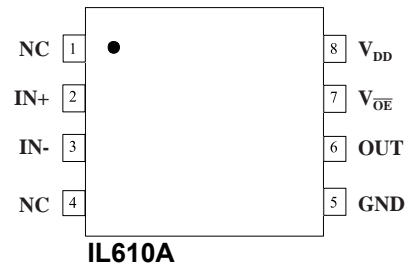
## Electrostatic Discharge Sensitivity

---

This product has been tested for electrostatic sensitivity to the limits stated in the specifications. However, NVE recommends that all integrated circuits be handled with appropriate care to avoid damage. Damage caused by inappropriate handling or storage could range from performance degradation to complete failure.

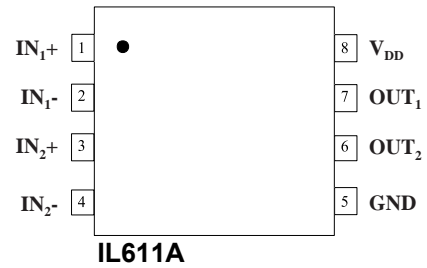
## IL610A Pin Connections

1	NC	No internal connection
2	IN+	Coil connection
3	IN-	Coil connection
4	NC	No internal connection
5	GND	Ground return for V <sub>DD</sub>
6	OUT	Data out
7	V <sub>OE</sub>	Output enable. Internally held low with 100 kΩ
8	V <sub>DD</sub>	Supply Voltage



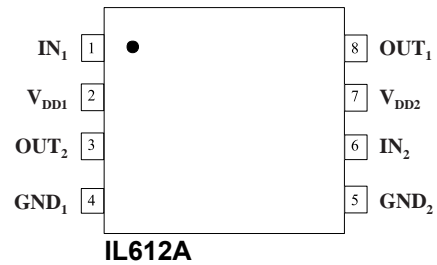
## IL611A Pin Connections

1	IN <sub>1+</sub>	Channel 1 coil connection
2	IN <sub>1-</sub>	Channel 1 coil connection
3	IN <sub>2+</sub>	Channel 2 coil connection
4	IN <sub>2-</sub>	Channel 2 coil connection
5	GND	Ground return for V <sub>DD</sub>
6	OUT <sub>2</sub>	Data out, channel 2
7	OUT <sub>1</sub>	Data out, channel 1
8	V <sub>DD</sub>	Supply Voltage



## IL612A Pin Connections

1	IN <sub>1</sub>	Data in, channel 1
2	V <sub>DD1</sub>	Supply Voltage 1
3	OUT <sub>2</sub>	Data out, channel 2
4	GND <sub>1</sub>	Ground return for V <sub>DD1</sub>
5	GND <sub>2</sub>	Ground return for V <sub>DD2</sub>
6	IN <sub>2</sub>	Data in, channel 2
7	V <sub>DD2</sub>	Supply Voltage 2
8	OUT <sub>1</sub>	Data out, channel 1

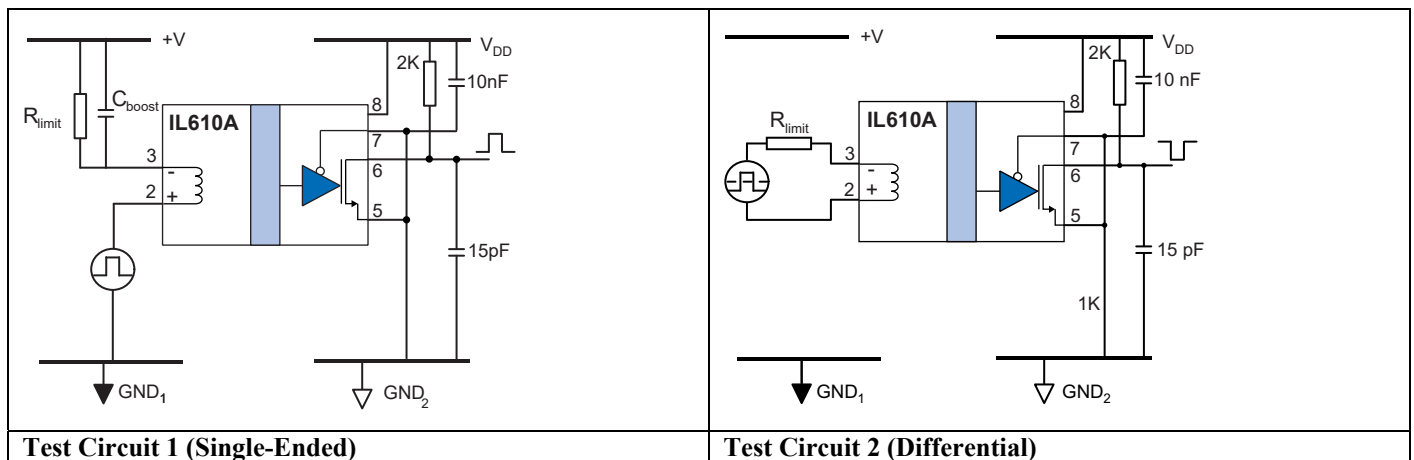


## Operating Specifications

Input Specifications ( $V_{DD} = 3\text{ V} - 5.5\text{ V}$ ; $T = -40^{\circ}\text{C}^{(2)} - 85^{\circ}\text{C}$ unless otherwise stated)						
Parameters	Symbol	Min.	Typ.	Max.	Units	Test Conditions
Coil Input Resistance	$R_{COIL}$	47	85	112	$\Omega$	$T = 25^{\circ}\text{C}$
		31	85	128	$\Omega$	$T = -40^{\circ}\text{C} - 85^{\circ}\text{C}$
Coil Resistance Temperature Coefficient	$TC R_{COIL}$		0.2	0.25	$\Omega/^{\circ}\text{C}$	
Coil Inductance	$L_{COIL}$		9		nH	
DC Input Threshold (5 V)	$I_{INH-DC}$	0.5	1		mA	Test Circuit 1; $V_{DD} = 4.5\text{ V} - 5.5\text{ V}$
	$I_{INL-DC}$		3.5	5	mA	
DC Input Threshold (3 V)	$I_{INH-DC}$		0.5	0.3	mA	Test Circuit 1; $V_{DD} = 3\text{ V} - 3.6\text{ V}$ ; no boost cap
	$I_{INL-DC}$		5	8	mA	
Dynamic Input Threshold (3 V)	$I_{INH-BOOST}$	0.5	1		mA	$V_{DD} = 3\text{ V} - 3.6\text{ V}$ ; $t_{IR} = t_{IF} = 3\text{ ns}$ ; $C_{BOOST} = 16\text{ pF}$
	$I_{INL-BOOST}$		3.5	5	mA	
Differential Input Threshold	$I_{INH-DIFF}$	0.5	1		mA	Test Circuit 2; $V_{DD} = 3\text{ V} - 5.5\text{ V}$ ; input current reverses; boost cap not required
	$I_{INL-DIFF}$		3.5	5	mA	
Failsafe Input Current <sup>(1)</sup> (5 V)	$I_{FS-HIGH}$	-25		0.5	mA	Test Circuit 1; $V_{DD} = 4.5\text{ V} - 5.5\text{ V}$
	$I_{FS-LOW}$	5		25	mA	
Failsafe Input Current <sup>(1)</sup> (3 V)	$I_{FS-HIGH}$	-25		0.3	mA	Test Circuit 1; $V_{DD} = 3\text{ V} - 3.6\text{ V}$
	$I_{FS-LOW}$	8		25	mA	
Input Signal Rise and Fall Times	$t_{IR}, t_{IF}$			1	$\mu\text{s}$	
Common Mode Transient Immunity	$ CM_H ,  CM_L $	15	20		kV/ $\mu\text{s}$	$V_T = 300\text{ V}_{peak}$

### Notes:

- Failsafe Operation is defined as the guaranteed output state which will be achieved if the DC input current falls between the input levels specified (see Test Circuit 1 for details). Note if Failsafe to Logic Low is required, the DC current supplied to the coil must be at least 8 mA using 3.3 V supplies.
- $-20^{\circ}\text{C}$  for IL611A-1E, IL611A-1ETR7 and IL611A-1ETR13



Electrical Specifications ( $V_{DD} = 3\text{ V} - 5.5\text{ V}$ ; $T = -40^{\circ}\text{C}^{(3)} - 85^{\circ}\text{C}$ unless otherwise stated)						
Parameters	Symbol	Min.	Typ.	Max.	Units	Test Conditions
Quiescent Supply Current (5 V)						
IL610A	$I_{DD}$		2	3	mA	$V_{DD} = 5\text{ V}$ , $I_{IN} = 0$ $R_{pullup} = \text{open circuit}$
IL611A	$I_{DD}$		4	6	mA	
IL612A	$I_{DD1}$		2	3	mA	
IL612A	$I_{DD2}$		2	3	mA	
Quiescent Supply Current (3.3 V)						
IL610A	$I_{DD}$		1.3	2	mA	$V_{DD} = 3.3\text{ V}$ , $I_{IN} = 0$ $R_{pullup} = \text{open circuit}$
IL611A	$I_{DD}$		2.6	4	mA	
IL612A	$I_{DD1}$		1.3	2	mA	
IL612A	$I_{DD2}$		1.3	2	mA	
Logic High Output Voltage <sup>(1)</sup>	$V_{OH}$		$V_{DD}$		V	Off State
Logic Low Output Voltage	$V_{OL}$		0	0.1	V	$I_O = -20\ \mu\text{A}$
			0.4	0.8	V	$I_O = -4\ \text{mA}$
Logic Output Current	$ I_O $	7	10		mA	

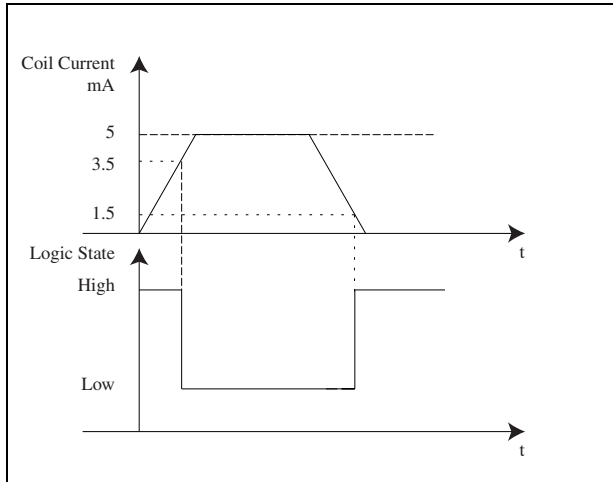
Switching Specifications ( $V_{DD} = 3\text{ V} - 5.5\text{ V}$ ; $T = -40^{\circ}\text{C}^{(3)} - 85^{\circ}\text{C}$ unless otherwise stated)						
Parameters	Symbol	Min.	Typ.	Max.	Units	Test Conditions
Input Signal Rise and Fall Times	$t_{IR}$ , $t_{IF}$			10	$\mu\text{s}$	Test Circuit 1; $t_{IR} = t_{IF} = 3\ \text{ns}$ ; $C_{BOOST} = 16\ \text{pF}$
Data Rate		10			Mbps	
Minimum Pulse Width	PW	100			ns	
Propagation Delay Input to Output (High to Low)	$t_{PHL}$		20	25	ns	
Propagation Delay Input to Output (Low to High)	$t_{PLH}$		50	75	ns	

**Notes:**

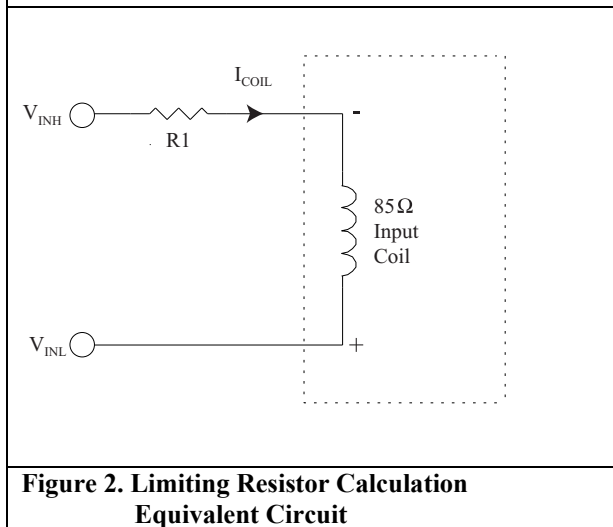
- $V_{DD}$  refers to the supply voltage on the output side of the isolated channel.
- Failsafe Operation is defined as the guaranteed output state which will be achieved if the DC input current falls between the input levels specified (see Test Circuit 1 for details). Note if Failsafe to Logic Low is required, the DC current supplied to the coil must be at least 8 mA using 3.3 V supplies versus 5 mA for 5 V supplies.
- $-20^{\circ}\text{C}$  for IL611A-1E, IL611A-1ETR7 and IL611A-1ETR13

## Applications Information

IL600-Series Isolators are current mode devices. Changes in current flow into the input coil result in logic state changes at the output. As shown in Figure 1, output logic high is the zero input current state.



**Figure 1. Typical IL600-Series Transfer Function**



**Figure 2. Limiting Resistor Calculation Equivalent Circuit**

coil metals under constant current flow. In single ended mode, long-term DC current flow above 25 mA can cause erosion of the coil metal. In differential mode, erosion takes place in both directions as each current cycle reverses and has a net effect of zero up to the absolute maximum current.

An advantage over optocouplers and other high-speed couplers in differential mode is that no reverse bias protection for the input structure is required for a differential signal.

One of the more common applications is for an isolated Differential Line Receiver. For example, RS-485 can drive an IL610 directly for a fraction of the cost of an isolated RS-485 node (see *Illustrative Applications*).

### Coil Polarity

The device switches to logic low if current flows from (In-) to (In+). *Note that the designations “In-“ and “In+” refer to logic levels, not current flow.* Positive values of current mean current flow into the In- input.

### Input Resistor Selection

Resistors set the coil input current (see Figure 2). There is no limit to input voltages because there are no semiconductor input structures.

Worst-case logic low threshold current is 8 mA, which is for single-ended operation with a 3 V supply. In differential mode, where the input current reverses, the logic low threshold current is 5 mA for the range of supplies. A “boost capacitor” creates current reversals at edge transitions, reducing the input logic low threshold current to the differential level of 5 mA.

### Typical Resistor Values

V <sub>COIL</sub>	0.125W, 5% Resistor
3.3 V	510 Ω
5 V	820 Ω

The table shows typical values for the external resistor for 5 mA coil current. The values are

approximate and should be adjusted for temperature or other application specifics. If the expected temperature range is large, 1% tolerance resistors may provide additional design margin.

### Single-Ended or Differential Input

The IL610, IL611, IL613, and channel 1 of the IL614 can be run with single-ended or differential inputs (see Test Circuits on page 5). In the differential mode, current will naturally flow through the coil in both directions without a boost capacitor, although the capacitor can still be used for increased external field immunity or improved PWD.

Absolute Maximum recommended coil current in single-ended mode is 25 mA while differential mode allows up to ±75 mA to flow. The difference in specifications is due to the risk of electromigration of

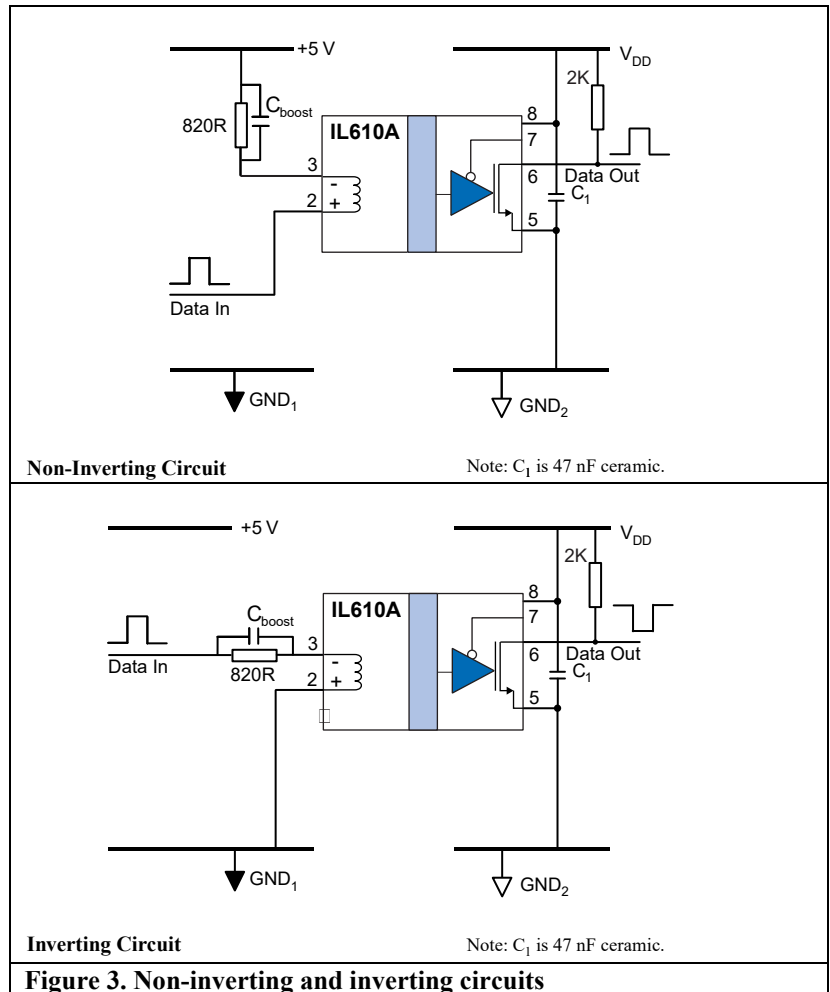
## Non-inverting and Inverting Configurations

IL600-Series Isolators can be configured in non-inverting and inverting configurations (see Figure 3). In a typical non-inverting circuit, the In<sup>-</sup> terminal is connected via a 1 kΩ input resistor to the supply rail, and the input is connected to the In<sup>+</sup> terminal. The supply voltage is +5 V and the input signal is a 5 V CMOS signal. When a logic high (+5 V) is applied to the input, the current through the coil is zero. When the input is a logic low (0 V), at least 5 mA flows through the coil from the In<sup>-</sup> side to the In<sup>+</sup> side.

The inverting configuration is similar to standard logic. In the inverting configuration, the signal into the coil is differential with respect to ground. The designer must ensure that the difference between the logic low voltage and the coil ground is such that the residual coil current is less than 0.5 mA.

The IL612 and IL614 devices have some inputs that do not offer inverting operation. The IL612 coil In<sup>-</sup> input is hardwired internally to the device power supply; therefore it is important to ensure the isolator power supply is at the same voltage as the power supply to the source of the input logic signal. The IL614 has a common coil In<sup>-</sup> for two inputs. This pin should be connected to the power supply for the logic driving channels 2 and 3, and the channels run should be run in non-inverting mode.

Both single ended and differential inputs can be handled without reverse bias protection.

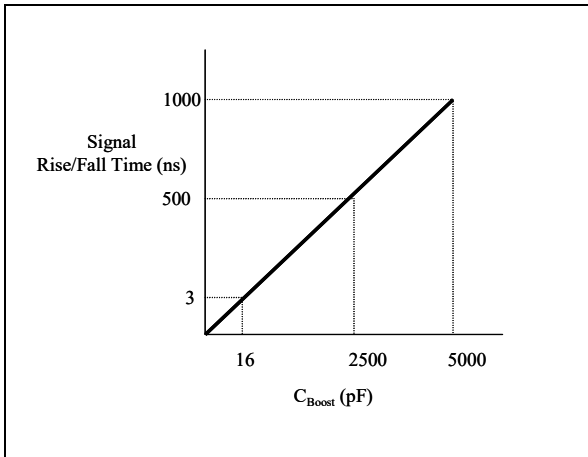


**Figure 3. Non-inverting and inverting circuits**

## Boost Capacitor

The boost capacitor in parallel with the current-limiting resistor boosts the instantaneous coil current at the signal transition. This ensures switching and reduces propagation delay and reduces pulse-width distortion.





**Figure 4. C<sub>boost</sub> Selector**

**Select the value of the boost capacitor based on the rise and fall times of the signal driving the inputs.** The instantaneous boost capacitor current is proportional to input edge speeds ( $C \frac{dV}{dt}$ ). Select a capacitor value based on the rise and fall times of the input signal to be isolated that provides approximately 20 mA of additional “boost” current. Figure 4 is a guide to boost capacitor selection. For high-speed logic signals ( $t_r, t_f < 10$  ns), a 16 pF capacitor is recommended. The capacitor value is generally not critical; if in doubt, choose a higher value.

## Dynamic Power Consumption

Power consumption is proportional to duty cycle, not data rate. The use of NRZ coding minimizes power dissipation since no additional power is consumed when the output is in the high state. In differential mode, where the logic high condition may still require a current to be forced through the coil, power consumption will be higher than a typical NRZ single ended configuration.

## Power Supply Decoupling

47 nF low-ESR ceramic capacitors are recommended to decouple the power supplies. The capacitors should be placed as close as possible to the appropriate  $V_{DD}$  pin.

## Maintaining Creepage

Creepage distances are often critical in isolated circuits. In addition to meeting JEDEC standards, NVE isolator packages have unique creepage specifications. Standard pad libraries often extend under the package, compromising creepage and clearance. Similarly, ground planes, if used, should be spaced to avoid compromising clearance. Package drawings and recommended pad layouts are included in this datasheet.

## Electromagnetic Compatibility and Magnetic Field Immunity

Because IL600-Series Isolators are completely static, they have the lowest emitted noise of any non-optical isolators.

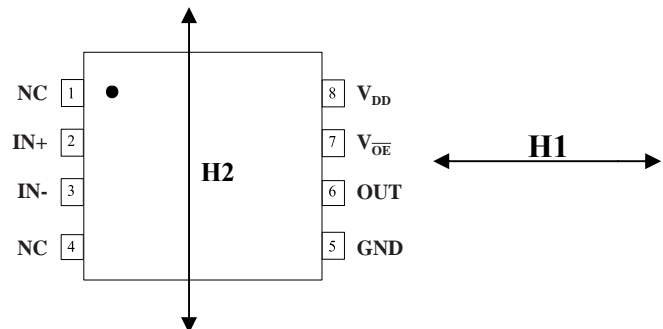
IsoLoop Isolators operate by imposing a magnetic field on a GMR sensor, which translates the change in field into a change in logic state. A magnetic shield and a Wheatstone Bridge configuration provide good immunity to external magnetic fields.

Immunity to external magnetic fields can be enhanced by proper orientation of the device with respect to the field direction, the use of differential signaling, and boost capacitors.

### 1. Orientation of the device with respect to the field direction

An applied field in the “H1” direction is the worst case for magnetic immunity. In this case the external field is in the same direction as the applied internal field. In one direction it will tend to help switching; in the other it will hinder switching. This can cause unpredictable operation.

An applied field in direction “H2” has considerably less effect and results in higher magnetic immunity.



### 2. Differential Signaling and Boost Capacitors

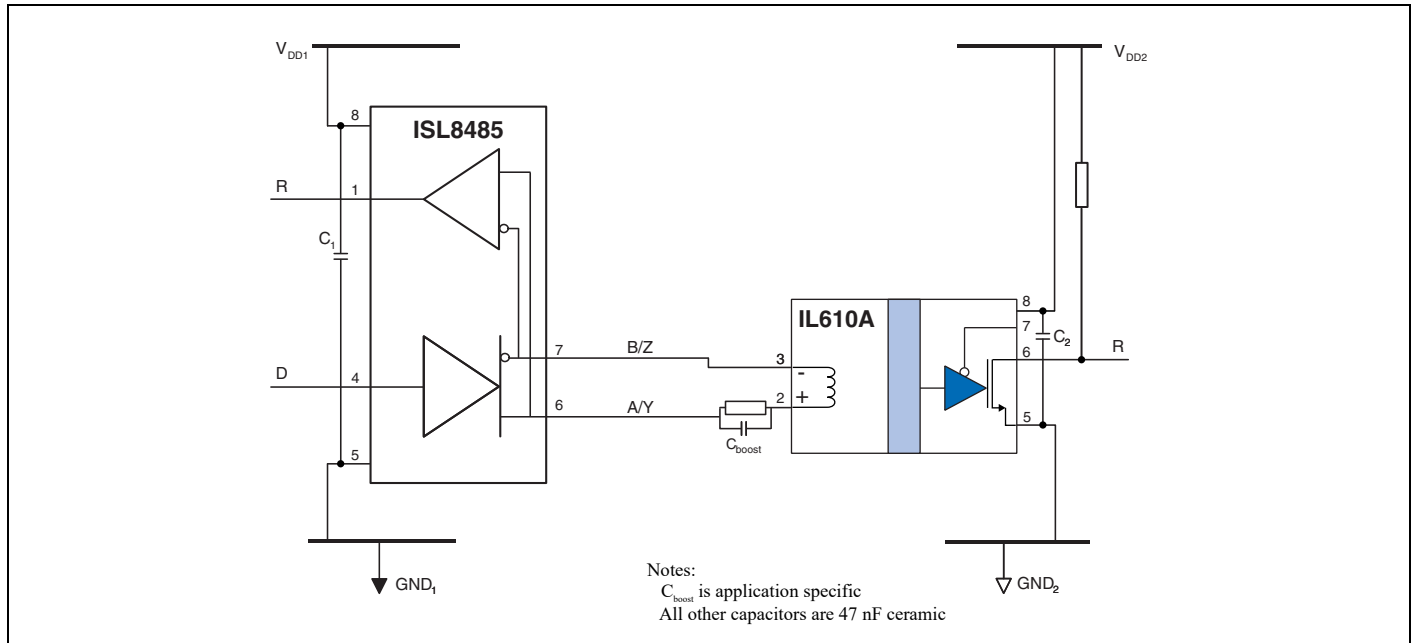
Regardless of orientation, driving the coil differentially improves magnetic immunity. This is because the logic high state is driven by an applied field instead of zero field, as is the case with single-ended operation. The higher the coil current, the higher the internal field, and the higher the immunity to external fields. Optimal magnetic immunity is achieved by adding the boost capacitor.

Method	Approximate Immunity	Immunity Description
Field applied in H1 direction	±20 Gauss	A DC current of 16 A flowing in a conductor 1 cm from the device could cause disturbance.
Field applied in H2 direction	±70 Gauss	A DC current of 56 A flowing in a conductor 1 cm from the device could cause disturbance.
Field applied in any direction but with boost capacitor (16 pF) in circuit	±250 Gauss	A DC current of 200 A flowing in a conductor 1 cm from the device could cause disturbance.

## Data Rate and Magnetic Field Immunity

It is easier to disrupt an isolated DC signal with an external magnetic field than it is to disrupt an isolated AC signal. Similarly, a DC magnetic field will have a greater effect on the device than an AC magnetic field of the same effective magnitude. For example, signals with pulses longer than 100  $\mu$ s are more susceptible to magnetic fields than shorter pulse widths.

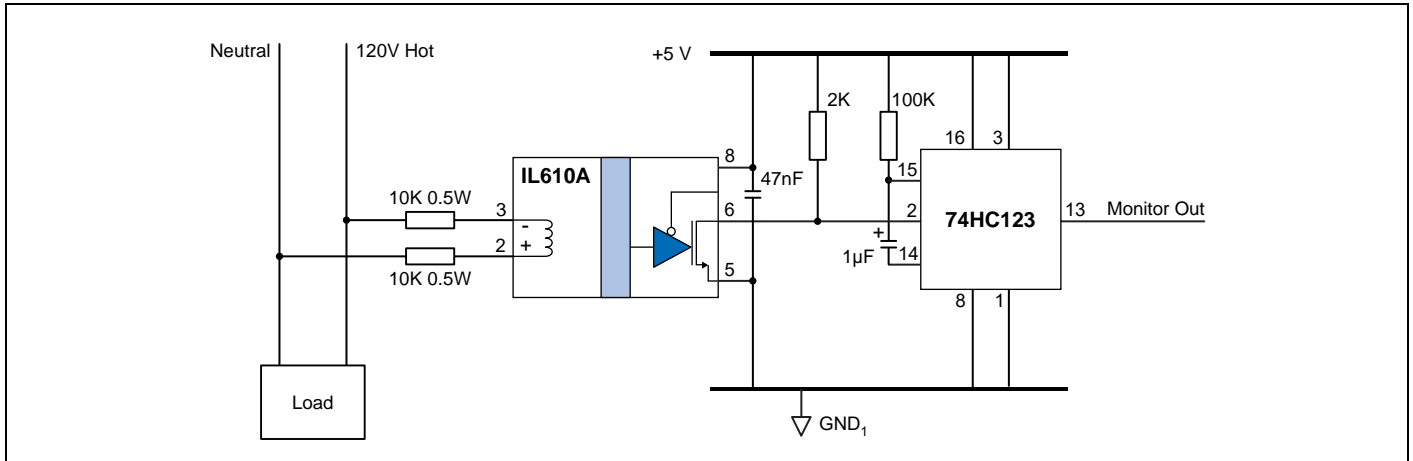
## Illustrative Applications



### Isolated RS-485 and RS-422 Receivers Using IL610As

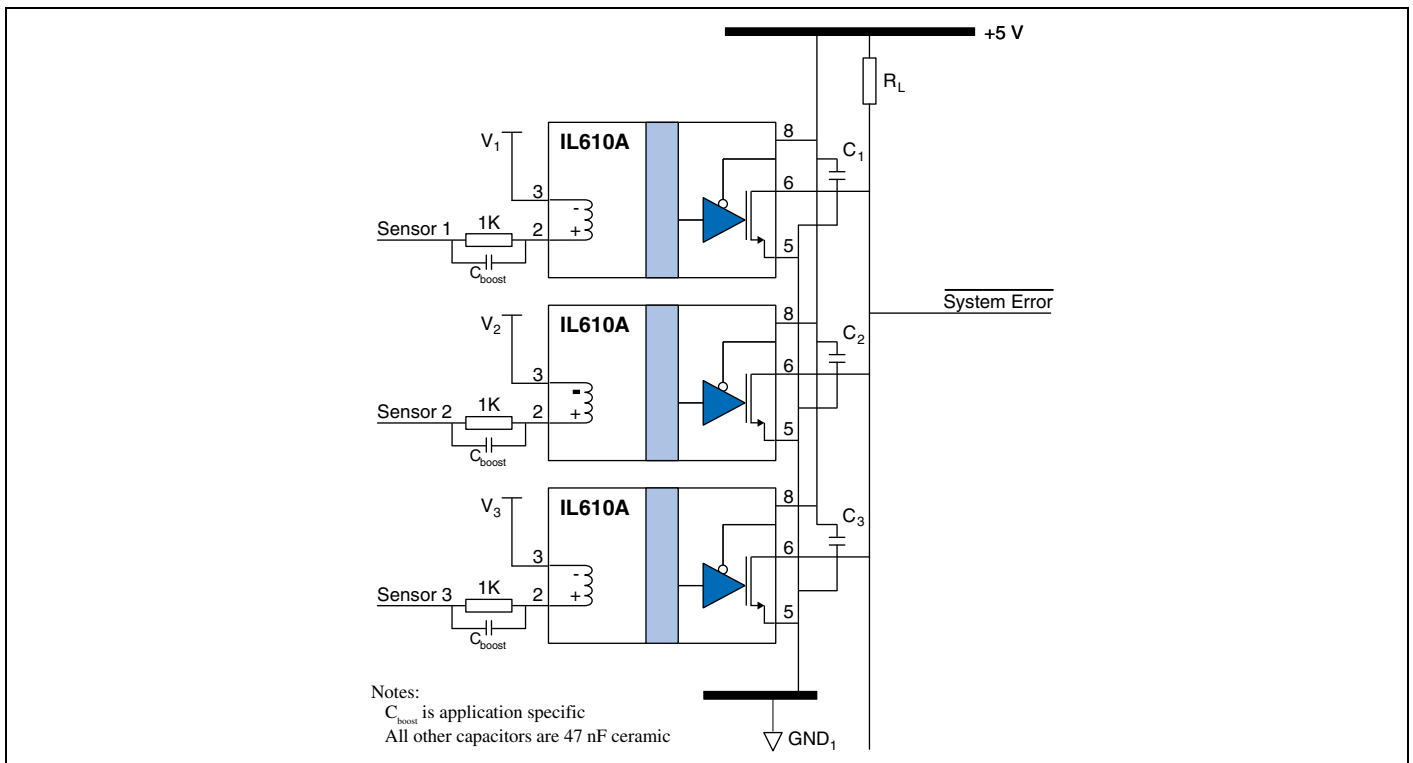
IL610As can be used as simple isolated RS-485 or RS-422 receivers, terminating signals at the IL610A for a fraction of the cost of an isolated node. Cabling is greatly simplified by eliminating the need to power the input side of the receiving board. No current-limiting resistor is needed for a single receiver because it will draw less current than the driver maximum. Current limiting resistors allow at least eight nodes without exceeding the maximum load of the transceiver chip. Placement of the current-limiting resistors on both lines provides better dynamic signal balance. There is no need for line termination resistors because the IL610A coil resistance of approximately 85  $\Omega$  is close to the characteristic impedance of most cables. The circuit is intrinsically open circuit failsafe because the IL610A is guaranteed to switch to the high state when the coil input current is less than 500  $\mu$ A. For higher speed, a faster output device (such the CMOS-output IL600-Series Isolators) are needed as well as possibly better impedance matching.

Number of Nodes	Current Limit Resistors ( $\Omega$ )
1	None
2	17
3	22
4	27
5	27
6	2
7	30
8	30



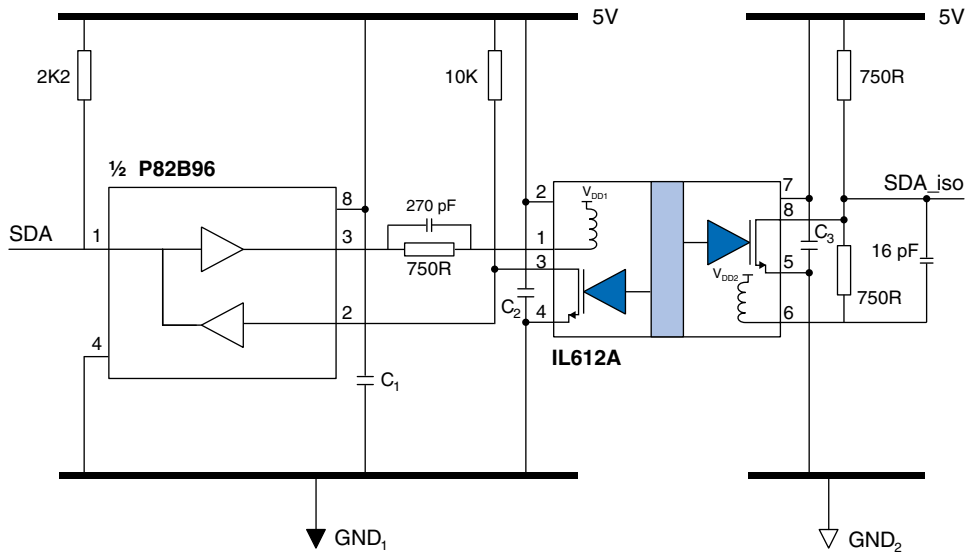
### Isolated 120V Line Monitor

The wide input voltage range of IL600 Isolators allows connection to line voltage through current-limiting resistors. Unlike optocouplers, input voltage can reverse without damaging the inputs. In this illustrative circuit, “Monitor Out” goes low when line voltage drops significantly. The 74HC123 monostable converts the 60 Hz isolator output to a monitor signal.



### Multi-channel Isolated Alarm Monitor

The open-drain outputs of IL600A-Series Isolators allow wired-OR outputs. The inputs can be configured for inverting or non-inverting operation (see Applications Information), and a very wide input voltage range is possible. This illustrative circuit provides fail-safe output (logic high output for zero coil current) and typical logic output sink current of 10 mA for each isolator.



Notes:  
C1, C2, and C3 are 47nF ceramic  
Resistor values change for 3 V operation

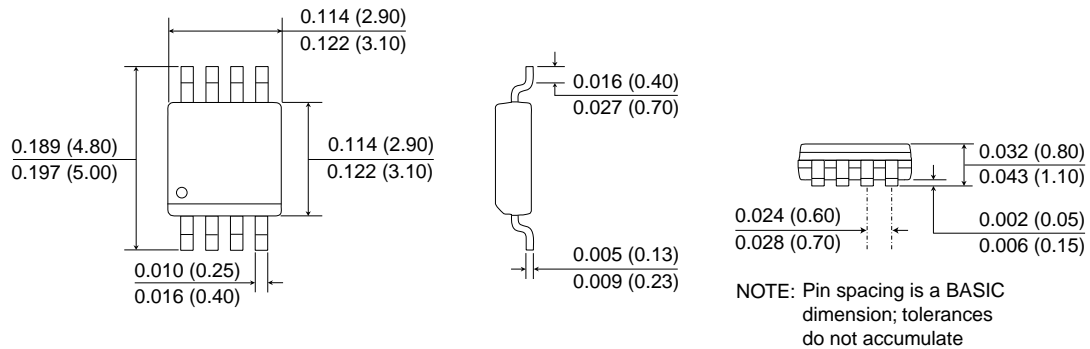
### Isolation of I<sup>2</sup>C Nodes

This circuit provides bidirectional isolation of I<sup>2</sup>C bus signals with no restrictions on data rate and none of the I<sup>2</sup>C bus latch-up problems common with other isolation circuits. The SCL section is similar as shown in the schematic using the other half of the P82B96.

## Package Drawings

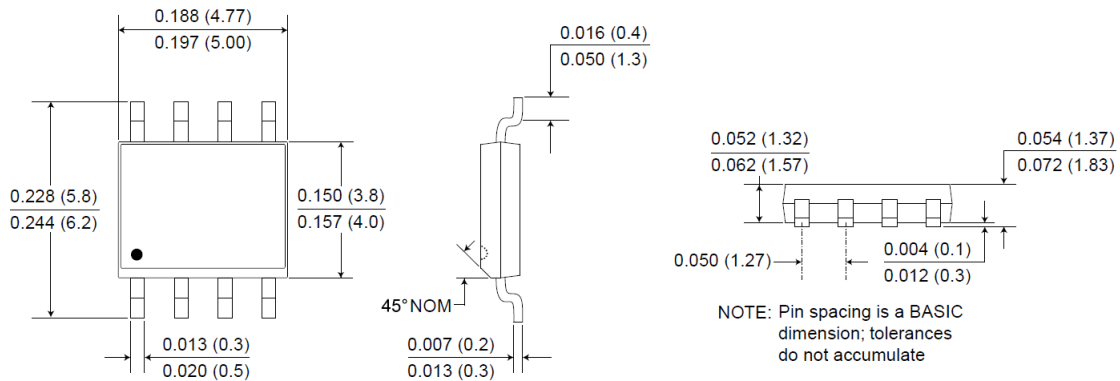
### 8-pin MSOP (-1 suffix)

Dimensions in inches (mm); scale = approx. 5X



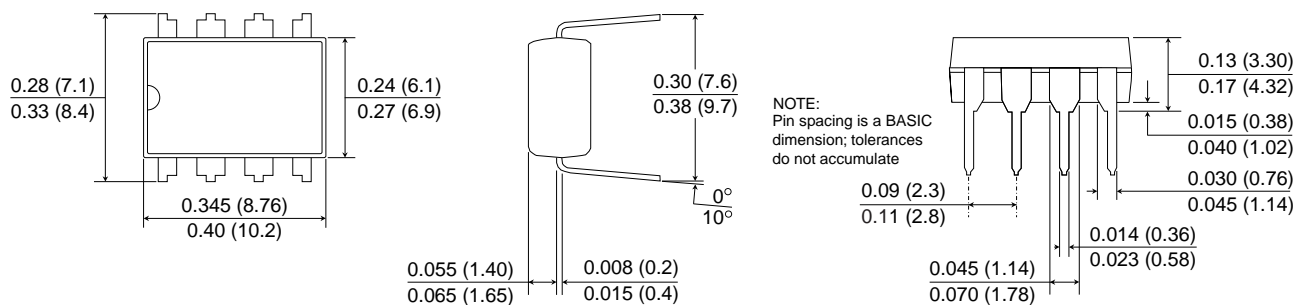
### 8-pin SOIC Package (-3 suffix)

Dimensions in inches (mm); scale = approx. 5X



### 8-pin PDIP (-2 suffix)

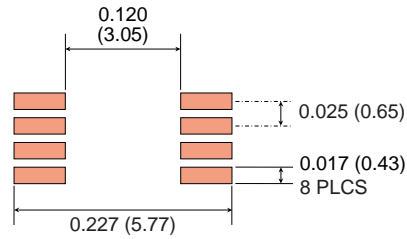
Dimensions in inches (mm); scale = approx. 2.5X



## Recommended Pad Layouts

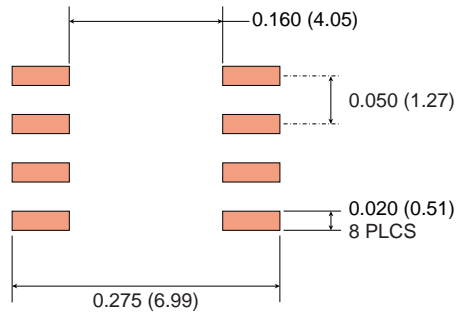
### 8-pin MSOP Pad Layout

Dimensions in inches (mm); scale = approx. 5X



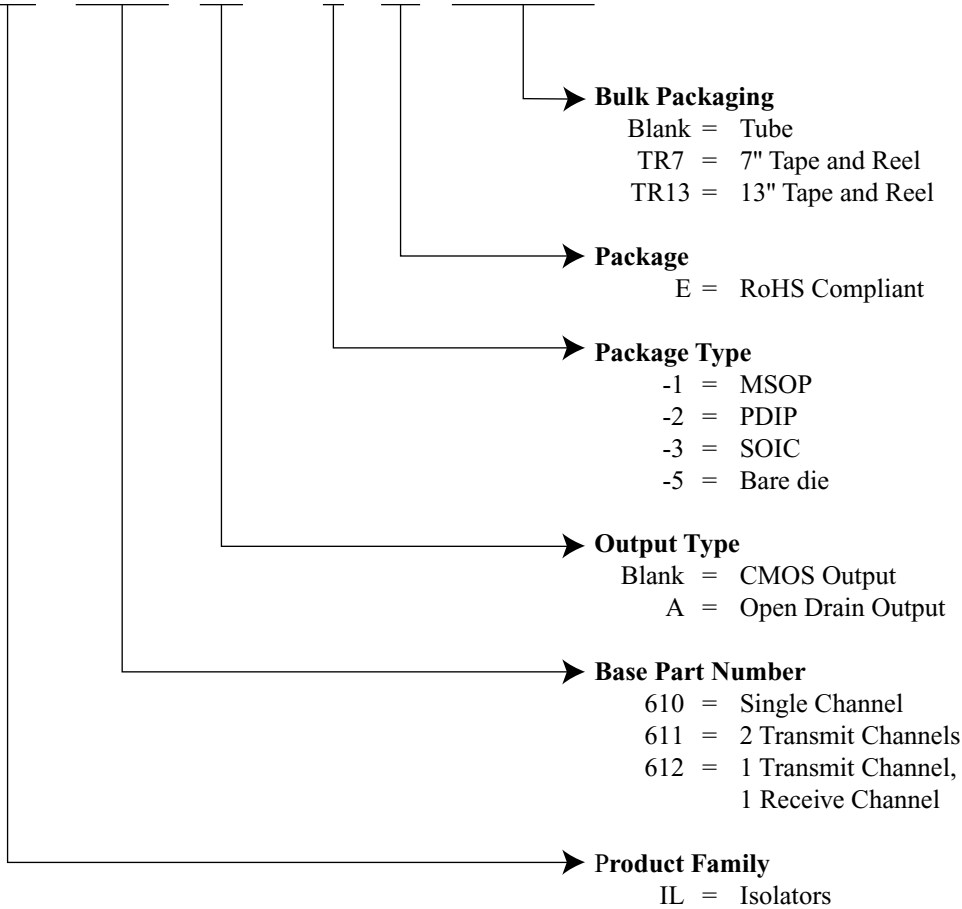
### 8-pin SOIC Pad Layout

Dimensions in inches (mm); scale = approx. 5X



## Ordering Information and Valid Part Numbers

IL 610 A - 1 E TR13



### IL610A Valid Part Numbers

IL610A-1E  
IL610A-2E  
IL610A-3E  
IL610A-5  
IL610A-1ETR7  
IL610A-3ETR7  
IL610A-1ETR13  
IL610A-3ETR13

### IL611A Valid Part Numbers

IL611A-1E  
IL611A-2E  
IL611A-3E  
IL611A-1ETR7  
IL611A-3ETR7  
IL611A-1ETR13  
IL611A-3ETR13

### IL612A Valid Part Numbers

IL612A-2E  
IL612A-3E  
IL612A-3ETR7  
IL612A-3ETR13





## Revision History

**ISB-DS-001-IL600A-AA**  
**March 2017**

### Changes

- Corrected 8-pin SOC Package outline dimensions.
- Changed low temperature specification for IL611A-1E, IL611A-1ETR7 and IL611A-1ETR13.

**ISB-DS-001-IL600A-Z**  
**November 2013**

- IEC 60747-5-5 (VDE 0884) certification.
- Upgraded from MSL 2 to MSL 1.
- Rearranged input threshold specifications so maximum is more than minimum.

**ISB-DS-001-IL600A-Y**

### Changes

- Added VDE 0884 pending.
- Added monostable to line monitor circuit (p. 11).
- Clarified circuit polarities.
- Updated package drawings.
- Added recommended solder pad layouts (p. 14).

**ISB-DS-001-IL600A-X**

### Changes

- Detailed isolation and barrier specifications.

**ISB-DS-001-IL600A-W**

### Changes

- Clarified Test Circuit 2 differential operation diagram (p.4).

**ISB-DS-001-IL600A-V**

### Changes

- Separated and clarified Input Specifications.
- Added minimum/maximum coil resistance specifications.
- Merged and simplified “Operation” and “Applications” sections.

**ISB-DS-001-IL600A-U**

### Changes

- Update terms and conditions.

**ISB-DS-001-IL600A-T**

### Changes

- Additional changes to pin spacing specification on MSOP package drawing.

**ISB-DS-001-IL600A-S**

### Changes

- Changed pin spacing specification on MSOP package drawing.

**ISB-DS-001-IL600A-R**

### Changes

- Clarified failsafe operation input current (p. 4).

**ISB-DS-001-IL600A-Q**

### Changes

- P. 2—Deleted MSOP IEC61010 approval.

**ISB-DS-001-IL600A-P**

### Changes

- Added EMC details.

**ISB-DS-001-IL600A-O**

### Changes

- Clarified I<sup>2</sup>C application diagram and expanded caption (p. 13).

**ISB-DS-001-IL600A-N**

### Changes

- IEC 61010 approval for MSOP versions.

## ISB-DS-001-IL600A-M

### Changes

- Specify coil resistance as typical only.
- Revise section on calculating limiting resistors.

## ISB-DS-001-IL600A-L

### Changes

- Note on all package drawings that pin-spacing tolerances are non-accumulating; change MSOP pin-spacing dimensions and tolerance accordingly.

## Datasheet Limitations

The information and data provided in datasheets shall define the specification of the product as agreed between NVE and its customer, unless NVE and customer have explicitly agreed otherwise in writing. All specifications are based on NVE test protocols. In no event however, shall an agreement be valid in which the NVE product is deemed to offer functions and qualities beyond those described in the datasheet.

## Limited Warranty and Liability

Information in this document is believed to be accurate and reliable. However, NVE does not give any representations or warranties, expressed or implied, as to the accuracy or completeness of such information and shall have no liability for the consequences of use of such information.

In no event shall NVE be liable for any indirect, incidental, punitive, special or consequential damages (including, without limitation, lost profits, lost savings, business interruption, costs related to the removal or replacement of any products or rework charges) whether or not such damages are based on tort (including negligence), warranty, breach of contract or any other legal theory.

## Right to Make Changes

NVE reserves the right to make changes to information published in this document including, without limitation, specifications and product descriptions at any time and without notice. This document supersedes and replaces all information supplied prior to its publication.

## Use in Life-Critical or Safety-Critical Applications

Unless NVE and a customer explicitly agree otherwise in writing, NVE products are not designed, authorized or warranted to be suitable for use in life support, life-critical or safety-critical devices or equipment. NVE accepts no liability for inclusion or use of NVE products in such applications and such inclusion or use is at the customer's own risk. Should the customer use NVE products for such application whether authorized by NVE or not, the customer shall indemnify and hold NVE harmless against all claims and damages.

## Applications

Applications described in this datasheet are illustrative only. NVE makes no representation or warranty that such applications will be suitable for the specified use without further testing or modification.

Customers are responsible for the design and operation of their applications and products using NVE products, and NVE accepts no liability for any assistance with applications or customer product design. It is customer's sole responsibility to determine whether the NVE product is suitable and fit for the customer's applications and products planned, as well as for the planned application and use of customer's third party customers. Customers should provide appropriate design and operating safeguards to minimize the risks associated with their applications and products.

NVE does not accept any liability related to any default, damage, costs or problem which is based on any weakness or default in the customer's applications or products, or the application or use by customer's third party customers. The customer is responsible for all necessary testing for the customer's applications and products using NVE products in order to avoid a default of the applications and the products or of the application or use by customer's third party customers. NVE accepts no liability in this respect.

## Limiting Values

Stress above one or more limiting values (as defined in the Absolute Maximum Ratings System of IEC 60134) will cause permanent damage to the device. Limiting values are stress ratings only and operation of the device at these or any other conditions above those given in the recommended operating conditions of the datasheet is not warranted. Constant or repeated exposure to limiting values will permanently and irreversibly affect the quality and reliability of the device.

## Terms and Conditions of Sale

In case an individual agreement is concluded only the terms and conditions of the respective agreement shall apply. NVE hereby expressly objects to applying the customer's general terms and conditions with regard to the purchase of NVE products by customer.

## No Offer to Sell or License

Nothing in this document may be interpreted or construed as an offer to sell products that is open for acceptance or the grant, conveyance or implication of any license under any copyrights, patents or other industrial or intellectual property rights.

## Export Control

This document as well as the items described herein may be subject to export control regulations. Export might require a prior authorization from national authorities.

## Automotive Qualified Products

Unless the datasheet expressly states that a specific NVE product is automotive qualified, the product is not suitable for automotive use. It is neither qualified nor tested in accordance with automotive testing or application requirements. NVE accepts no liability for inclusion or use of non-automotive qualified products in automotive equipment or applications.

In the event that customer uses the product for design-in and use in automotive applications to automotive specifications and standards, customer (a) shall use the product without NVE's warranty of the product for such automotive applications, use and specifications, and (b) whenever customer uses the product for automotive applications beyond NVE's specifications such use shall be solely at customer's own risk, and (c) customer fully indemnifies NVE for any liability, damages or failed product claims resulting from customer design and use of the product for automotive applications beyond NVE's standard warranty and NVE's product specifications.

An ISO 9001 Certified Company

NVE Corporation  
11409 Valley View Road  
Eden Prairie, MN 55344-3617 USA  
Telephone: (952) 829-9217  
Fax: (952) 829-9189  
[www.nve.com](http://www.nve.com)  
e-mail: [iso-info@nve.com](mailto:iso-info@nve.com)

Ihr Vertriebspartner:



HY-LINE Power Components  
Vertriebs GmbH  
Inselkammerstr. 10  
D-82008 Unterhaching  
☎ +49 89/ 614 503 -10  
power@hy-line.de

HY-LINE AG  
Hochstrasse 355  
CH-8200 Schaffhausen  
☎ +41 52 647 42 00  
info@hy-line.ch

©NVE Corporation

All rights are reserved. Reproduction in whole or in part is prohibited without the prior written consent of the copyright owner.

ISB-DS-001-IL600A-AA

March 2017