

## PL5 Series

5A Non-Isolated  
DC-DC Converters

- Industry Standard Package and Pin Out
- DOSA Compatible Models
- Low Voltage Outputs to 0.75V
- Pin and SMT Versions
- Output Voltage Adjustment
- Remote On/Off

### Key Market Segments & Applications

Telecommunications  
Data Communications  
Networking Equipment  
Test Equipment  
Industrial Electronics  
Distributed Power Architecture

### PL5 Features and Benefits

#### Features

- High Efficiency up to 94%
- Wide Output Voltage Adjustment Range
- SMT or Through Hole Packages
- Industry Standard Pin Out

#### Benefits

- Reduces Input Current Draw
- Stock One Part for all Voltages
- Multiple Mounting Methods
- Second Sourcing

### Specifications

ITEMS	MODEL		PL5S-05C	PL5SMS-05C	PL5S-12C	PL5SMS-12C
	(2)	VDC	0.75 - 3.3VDC		0.75 - 5.0VDC	
Output Voltage Range	(2)	VDC	0.75 - 3.3VDC		0.75 - 5.0VDC	
Output Current		A	5 Amps			
Output Voltage Accuracy		%	±1.5%			
Turn on/off Threshold (typ)		VDC	On: 2.0V, Off: 1.9V		On: 8.0V, Off: 7.9V	
Ripple & Noise (Typ)	(1)	mV	20mV rms, 50mV pk-pkVo=5VDC, 45mV rms, 75mV pk-pk			
Line Regulation (Typ)		%	± 0.4% (Vo=3.3V)		± 0.2% (Vo=3.3V)	
Load Regulation (Typ)		%	± 0.5% (Vo=3.3V)			
Capacitive Load (max)		µF	3000µF			
Transient Response		-	<200µs settling time for 25% load change			
Overcurrent Protection		-	Continuous			
Overvoltage Protection		-	N/A			
Over Temp. Protection		°C	120°C typ.			
Remote Sense		-	N/A			
Remote On / Off		-	On: Vin or open circuit; Off: <0.4VDC			
Operating Temperature		°C	-40°C to +85°C			
Operating Humidity		%	20 - 95% Non condensing			
Storage Temperature		°C	-55°C to +125°C			
Storage Humidity		%	10 - 95% Non condensing			
Cooling		-	Convection, or forced air			
Vibration (non operating)		-	10 - 500 -10 Hz, amplitude 1.524mm, X, Y, Z 6 minutes each			
Shock		-	half sine wave, 40g, 11ms, 3 times each axis, +X, -X, +Y, -Y, +Z, -Z			
Safety Agency Approvals		-	UL/C-UL60950			
Switching Frequency		kHz	300kHz			
Weight (Typ)		g	2.1	2.4	2.1	2.4
Size (W x L x H)		-	See outline drawing			
Warranty		yrs	2			

**Note: See Installation Manual for full details, test methods of parameters and application notes**

(1) The output noise is measured with a 10µF tantalum cap and 1µF ceramic cap across output (2) See application notes for Trim equations and tables

Model Selector						
Model	Input Voltage (VDC)	Output Voltage (VDC)	Output Curr. (A)	Input Current* No Load (mA)	Input Current* Full Load (mA)	Eff. (%)
	3.0 - 5.5	0.75	5	25	949	79
	3.0 - 5.5	1.2	5	30	1412	85
	3.0 - 5.5	1.5	5	30	1724	87
<b>PL5S-05C and PL5SMS-05C</b>	3.0 - 5.5	1.8	5	35	2022	89
	3.0 - 5.5	2	5	35	2222	90
	3.0 - 5.5	2.5	5	35	2217	92
	4.5 - 5.5	3.3	5	35	3511	94
	8.3 - 14	0.75	5	20	428	73
	8.3 - 14	1.2	5	25	625	80
	8.3 - 14	1.5	5	25	762	82
<b>PL5S-12C and PL5SMS-12C</b>	8.3 - 14	1.8	5	30	893	84
	8.3 - 14	2	5	30	980	85
	8.3 - 14	2.5	5	35	1197	87
	8.3 - 14	3.3	5	45	1545	89
	8.3 - 14	5.0	5	50	2264	92

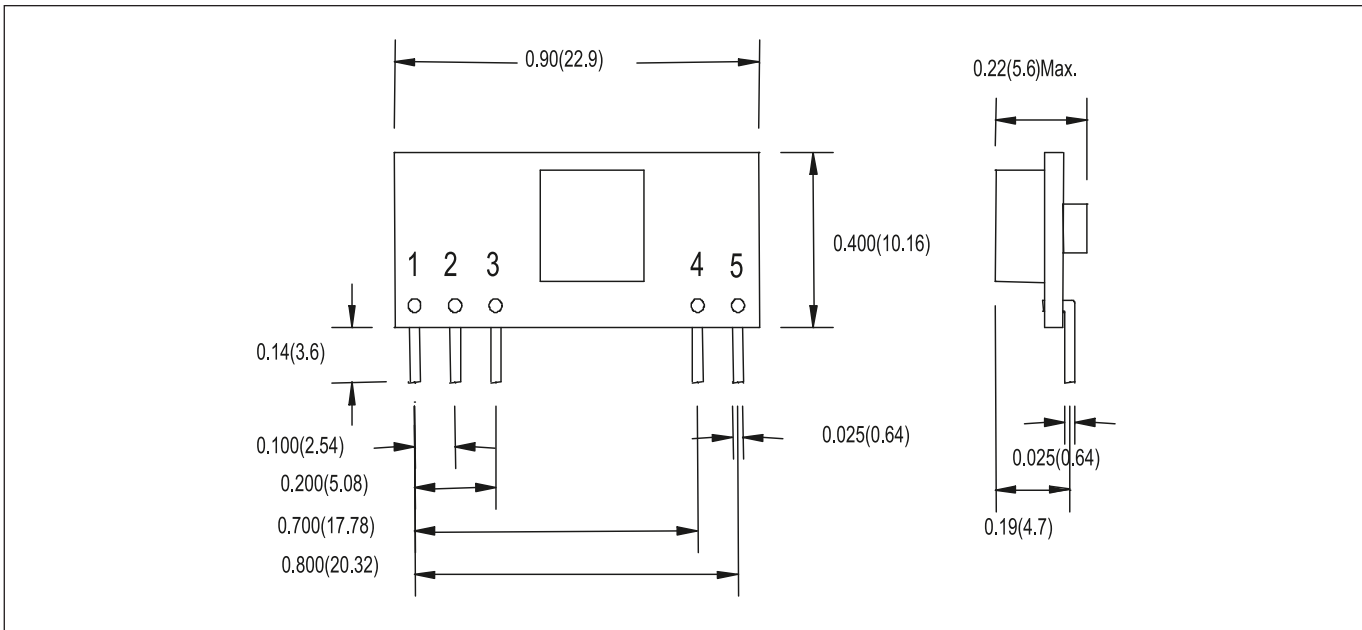
PL5S - SIL 5 pins  
PL5SMS - Surface Mount

\* At nominal input voltage (5V or 12V depending on model)

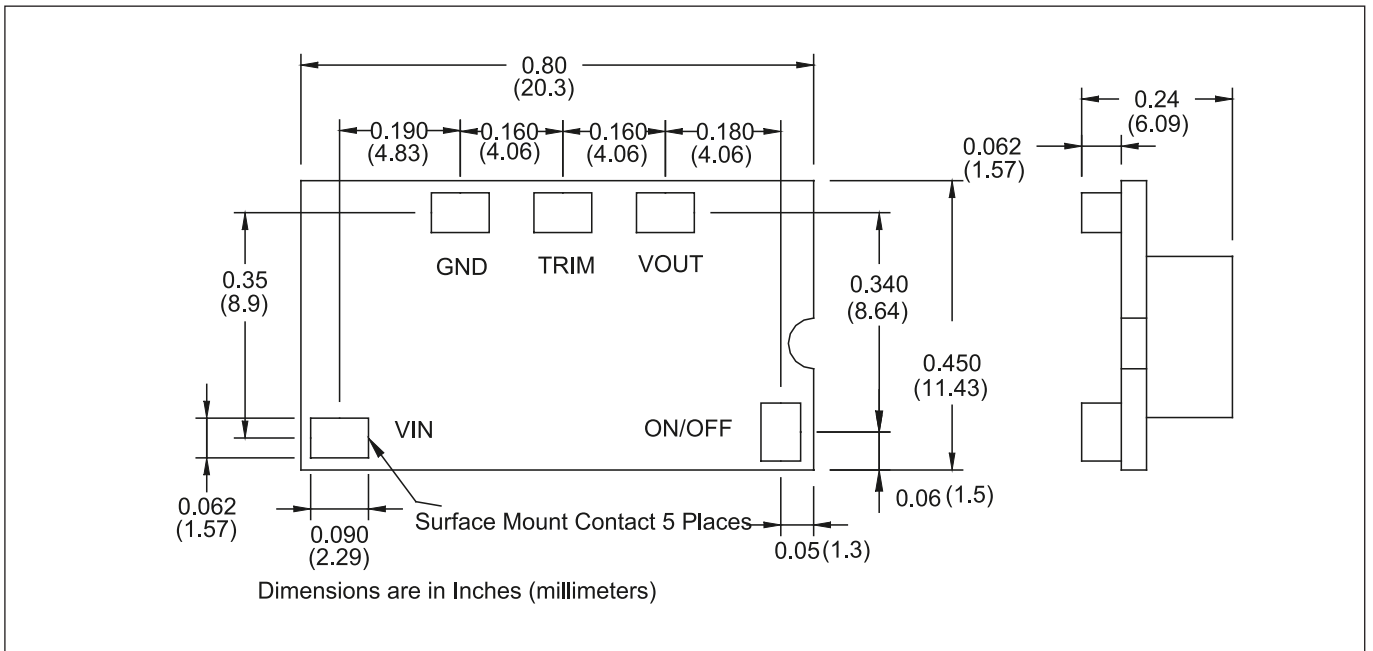
Remote On /Off Option	
Suffix	Function
Blank	On: Vin or open circuit; Off<0.4VDC
N	On: open circuit or <0.4VDC; Off: >2.8VDC to Vin

Pinout			
PIN	Function	PIN	Function
1	+ Output	2	Trim
3	Common	4	+V Input
5	On/Off		

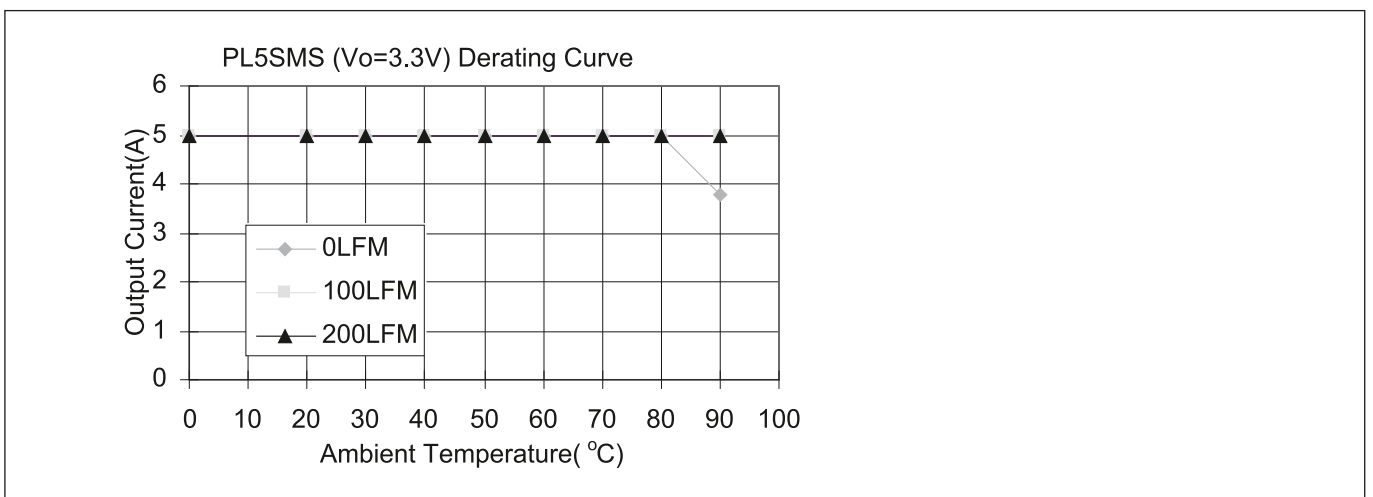
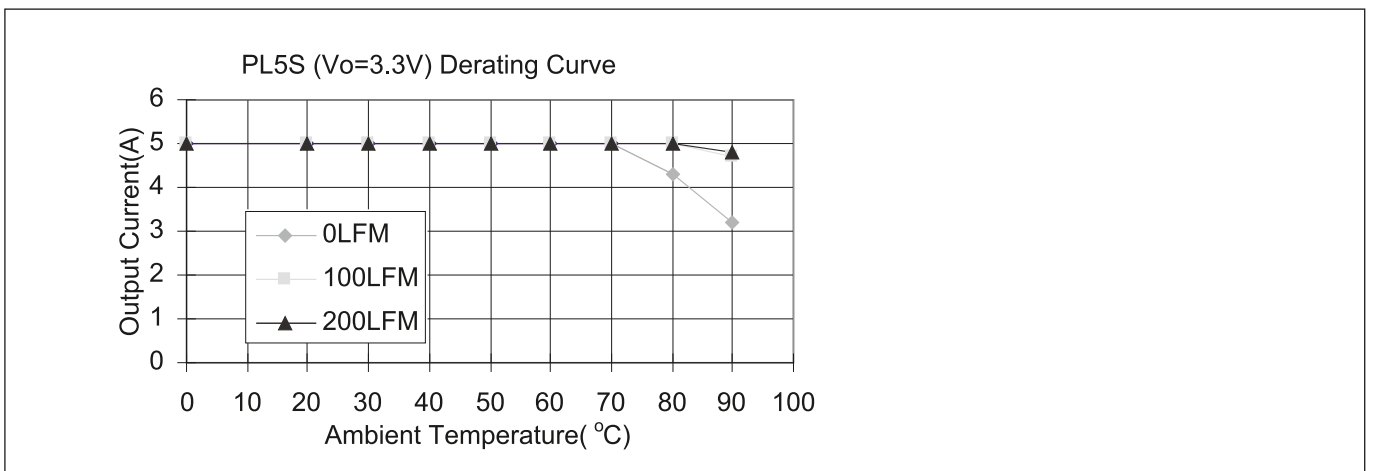
Outline Drawing PL5S Series



Outline Drawing PL5SMS Series



Derating Curve



**TDK-LAMBDA EMEA**

[www.emea.tdk-lambda.com](http://www.emea.tdk-lambda.com)



**TDK-Lambda France SAS**

Route de Grivery  
ZAC des Delaches  
CS 41077  
91978 Courtaboeuf Cedex  
France  
Tel: +33 1 60 12 71 65  
Fax: +33 1 60 12 71 66  
[france@fr.tdk-lambda.com](mailto:france@fr.tdk-lambda.com)  
[www.fr.tdk-lambda.com](http://www.fr.tdk-lambda.com)



**Italy Sales Office**  
Via dei Lavoratori 128/130  
20092 Cinisello Balsamo (MI)  
Italy  
Tel: +39 02 61 29 38 63  
Fax: +39 02 61 29 09 00  
[info.italia@it.tdk-lambda.com](mailto:info.italia@it.tdk-lambda.com)  
[www.it.tdk-lambda.com](http://www.it.tdk-lambda.com)



**TDK-Lambda Germany GmbH**

Karl-Bold-Strasse 40  
77855 Achern  
Germany  
Tel: +49 7841 666 0  
Fax: +49 7841 5000  
[info.germany@de.tdk-lambda.com](mailto:info.germany@de.tdk-lambda.com)  
[www.de.tdk-lambda.com](http://www.de.tdk-lambda.com)



**Austria Sales Office**  
Aredstrasse 22  
2544 Leobersdorf  
Austria  
Tel: +43 2256 655 84  
Fax: +43 2256 645 12  
[info.germany@de.tdk-lambda.com](mailto:info.germany@de.tdk-lambda.com)  
[www.de.tdk-lambda.com](http://www.de.tdk-lambda.com)



**TDK-Lambda UK Ltd.**

Kingsley Avenue  
Ilfracombe  
Devon EX34 8ES  
United Kingdom  
Tel: +44 (0) 12 71 85 66 66  
Fax: +44 (0) 12 71 86 48 94  
[powersolutions@uk.tdk-lambda.com](mailto:powersolutions@uk.tdk-lambda.com)  
[www.uk.tdk-lambda.com](http://www.uk.tdk-lambda.com)



**Nemic Lambda Ltd.**

Kibbutz  
Givat Hashlosha 48800  
Israel  
Tel: +9 723 902 4333  
Fax: +9 723 902 4777  
[info@nemic.co.il](mailto:info@nemic.co.il)  
[www.nemic.co.il](http://www.nemic.co.il)



**Russia**

Technical Support:  
St Petersburg  
Tel: +7 (812) 6580463  
Sales:  
Moscow  
Tel: +7 (499) 7557732  
[info@tdk-lambda.ru](mailto:info@tdk-lambda.ru)  
[www.tdk-lambda.ru](http://www.tdk-lambda.ru)

**LOCAL DISTRIBUTION**

Ihr Vertriebspartner:  
**HY-LINE**<sup>®</sup>  
POWER COMPONENTS

Inselkammerstraße 10  
D-82008 Unterhaching  
Tel: +49 (0)89 614 503 10  
Fax: +49 (0)89 614 503 20  
E-Mail: [power@hy-line.de](mailto:power@hy-line.de)  
URL: [www.hy-line.de](http://www.hy-line.de)