



Industrial



Test

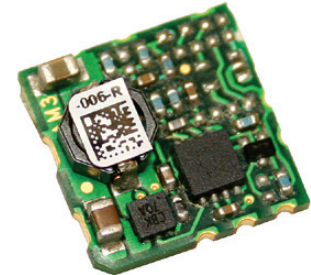


Comm



Broadcast

## 3A Non-isolated SMT Point of Load



Features	Benefits
• Fully Optimised Control Loop with Excellent Transient Response	• No External Loop Tuning Components Needed
• DOSA Compatible Footprint	• Ideal for Second Sourcing
• LGA or EPC Format	• Choice of Layout

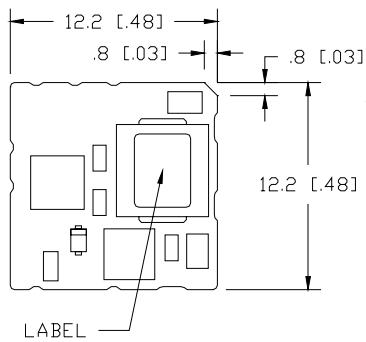
Specification		
Model	iCF	
DC Output Voltage	V	0.7 - 5.5
DC Input Voltage	V	4.5 - 14
Efficiency	%	85 - 93.5 (1.2Vout to 5Vout)
Output Voltage Tolerance	%	±3
Switching Frequency	kHz	600
Line Regulation	mV	3
Load Regulation	mV	6
Preload	-	none
Output Ripple and Noise	mVpp	15
Overcurrent Protection	A	Hiccup Type
Remote On / Off	-	yes
Remote Sense	-	yes
Power Good Signal	-	yes
Operating Temperature	°C	-40°C to 115°C (see thermal data on website)
Storage Temperature	°C	-55°C to 125°C
Safety Agency Approvals	-	IEC/UL/CSA/EN62368-1, 60950-1, CE Mark
Weight	g	1.5g
Size (LxWxH)	mm	12.2 x 12.2 x 4.45
Warranty	yrs	3

## Model Selector

Model	Input Voltage (V)	Output Current (A)	Output Voltage (V)	Positive Logic On/Off	Negative Logic On/Off	Sequencing	LGA Solder Bumping
iCF12003A007V-007-R	4.5-14	3	0.70 - 5.5	-	yes	-	yes*

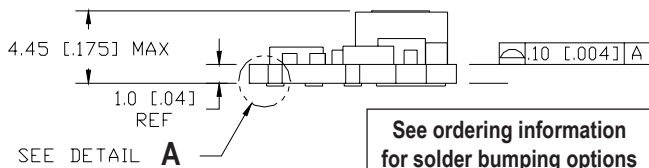
\*For EPC solder bumping specify -003-R model suffix

## Outline Drawing iCF Series



All Dimensions are in mm. (in).

Unless otherwise specified tolerances are:  $xx \pm 0.5\text{mm}$  (0.02),  $xxx \pm 0.25\text{mm}$  (0.10)

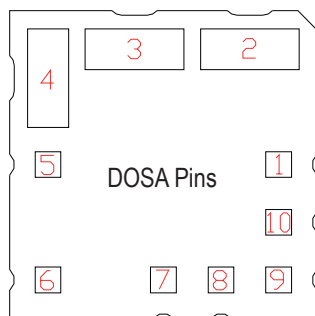


See ordering information for solder bumping options

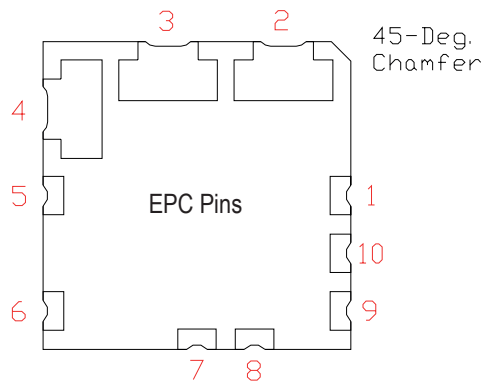
.00 - .23 REF  
[.000 - .009]  
SOLDER PLATING  
THICKNESS ON  
LAND GRID ARRAY  
10 PLACES

DETAIL A

Pin location bottom view



45-Deg. Chamfer



45-Deg. Chamfer

## Pin Assignment

PIN	Function	PIN	Function
1	ON/OFF	6	TRIM
2	VIN	7	GND
3	GND	8	No Connection
4	VOUT	9	No Connection
5	SENSE	10	PWR GOOD



## TDK-Lambda France SAS

3 Avenue du Canada  
Parc Technopolis  
Bâtiment Sigma  
91940 les Ulis  
France  
Tel: +33 1 60 12 71 65  
Fax: +33 1 60 12 71 66  
france@fr.tdk-lambda.com  
www.emea.lambda.tdk.com/fr



## Italy Sales Office

Via Giacomo Matteotti 62  
20092 Cinisello Balsamo (MI)  
Italy  
Tel: +39 02 61 29 38 63  
Fax: +39 02 61 29 09 00  
info.italia@it.tdk-lambda.com  
www.emea.lambda.tdk.com/it



## Netherlands

info@nl.tdk-lambda.com  
www.emea.lambda.tdk.com/nl



## TDK-Lambda Germany GmbH

Karl-Bold-Strasse 40  
77855 Achern  
Germany  
Tel: +49 7841 666 0  
Fax: +49 7841 5000  
info.germany@de.tdk-lambda.com  
www.emea.lambda.tdk.com/de



## Austria Sales Office

Aredstrasse 22  
2544 Leobersdorf  
Austria  
Tel: +43 2256 655 84  
Fax: +43 2256 645 12  
info@at.tdk-lambda.com  
www.emea.lambda.tdk.com/at



## Switzerland Sales Office

Eichtalstrasse 55  
8634 Hombrechtikon  
Switzerland  
Tel: +41 44 850 53 53  
Fax: +41 44 850 53 50  
info@ch.tdk-lambda.com  
www.emea.lambda.tdk.com/ch



## Nordic Sales Office

Haderslevvej 36B  
DK-6000 Kolding  
Denmark  
Tel: +45 8853 8086  
info@dk.tdk-lambda.com  
www.emea.lambda.tdk.com/dk



## TDK-Lambda UK Ltd.

Kingsley Avenue  
Ilfracombe  
Devon EX34 8ES  
United Kingdom  
Tel: +44 (0) 12 71 85 66 66  
Fax: +44 (0) 12 71 86 48 94  
info@uk.tdk-lambda.com  
www.emea.lambda.tdk.com/uk



## TDK-Lambda Ltd.

1 Alexander Yanai  
Segula  
Petah-Tikva  
Israel  
Tel: +9 723 902 4333  
Fax: +9 723 902 4777  
info@tdk-lambda.co.il  
www.emea.lambda.tdk.com/il



## C.I.S.

### Commercial Support:

Tel: +7 (495) 665 2627

### Technical Support:

Tel: +7 (812) 658 0463

info@tdk-lambda.ru

www.emea.lambda.tdk.com/ru

## Local Distribution

Ihr Vertriebspartner:

**HY-LINE®**  
hy-line.de  
LEADER IN TECHNOLOGY.

HY-LINE Power Components  
Vertriebs GmbH  
Inselkammerstr. 10  
D-82008 Unterhaching  
☎ +49 89/ 614 503 -10  
power@hy-line.de

HY-LINE AG  
Hochstrasse 355  
CH-8200 Schaffhausen  
☎ +41 52 647 42 00  
info@hy-line.ch