



## 2500W Bi-Directional DC-DC Converter

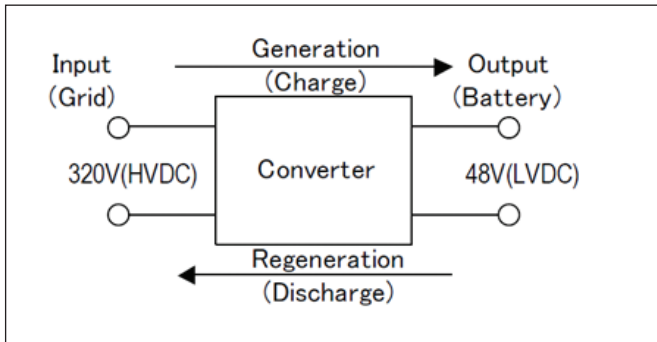
Features	Benefits
1U rackmount	Utilises less system space
High efficiency >92%	Minimises heat in system
Digital Interface	User configurable & offers various operation modes
Full Digital Control	Unit features fast charge/discharge & discharge/charge direction changes



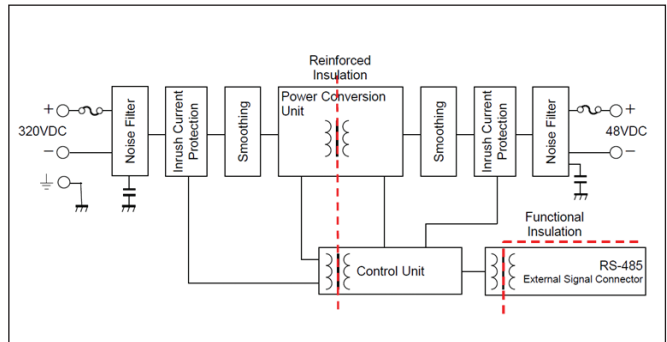
Specification			
Model		Low Voltage DC (Battery Side)	High Voltage DC (Grid Side)
Voltage Range (1) (2)	VDC	36 - 60VDC (48V Nominal)	300 - 380VDC (320V Nominal)
Output Current (Maximum)	A	±52A	±7.8A
Constant Current Programming Range (1) (2)	A	2.4 - 56A	0.5 - 8.5A
Maximum Output Power	W	±2,496W	±2,496W
Efficiency	%	≥92%	≥92%
Pre-charge Voltage (required)	VDC	>36V	>300V
Inrush Current (Typical)	A	5.5A	3.6A
Line Regulation (Maximum)	-	240mV	1.52V
Load Regulation (Maximum)	-	480mV	3.04V
Temperature Regulation (Maximum)	-	300mV	1.9V
Output Ripple & Noise (Maximum pk-pk)	-	480mV	3.2V
Sink Current (When applied V > output set V)	mA	300mA	50mA
Overcurrent Protection (Manual reset)	A	60A	9.5A
Overpower Protection	W	2600W (Constant power)	2600W (Constant power)
Under & Overvoltage Protection (2)	V	32 - 68V	260 - 410V
Overtemperature Protection	-	Yes, Alarm signal is given	
Remote On/Off & Reset (2)	-	Yes	
Parallel Operation	-	Yes (Droop mode, can be set via RS-485)	
Front panel Indicators and Settings	-	Operating mode (Generating, Regenerating & Alarm), Alarm clear & RS-485 address selection	
Operating Temperature	°C	-10 to +40°C, full load	
Storage Temperature	°C	-20 to +70°C	
Humidity (Non condensing)	%RH	Operating: 30 - 90%RH, Storage: 10 - 95%RH	
Cooling	-	Internal fan	
Vibration (Non operating)	-	10-500Hz (1 min sweep), 10.2m/s <sup>2</sup> constant for 1 hour in each direction: X, Y & Z axis	
Shock	-	196.1m/s <sup>2</sup> maximum	
Withstand Voltage	-	Input (HVDC) to Output (LVDC) 3kVAC, Input to Ground 2kVAC, Output to Ground 500VAC	
Isolation Resistance	MΩ	>100MΩ at 25°C & 70%RH, Output to Ground 500VDC	
Safety Certifications	-	UL60950-1, CSA60950-1, EN60950-1, CE mark	
Size (W x H x D)	mm	422.8 x 43.6 x 400	
Weight	g	8000	
Warranty	Yrs	5	

Notes: (1) See installation manual for detailed specifications & test methods (2) Can be set via RS-485

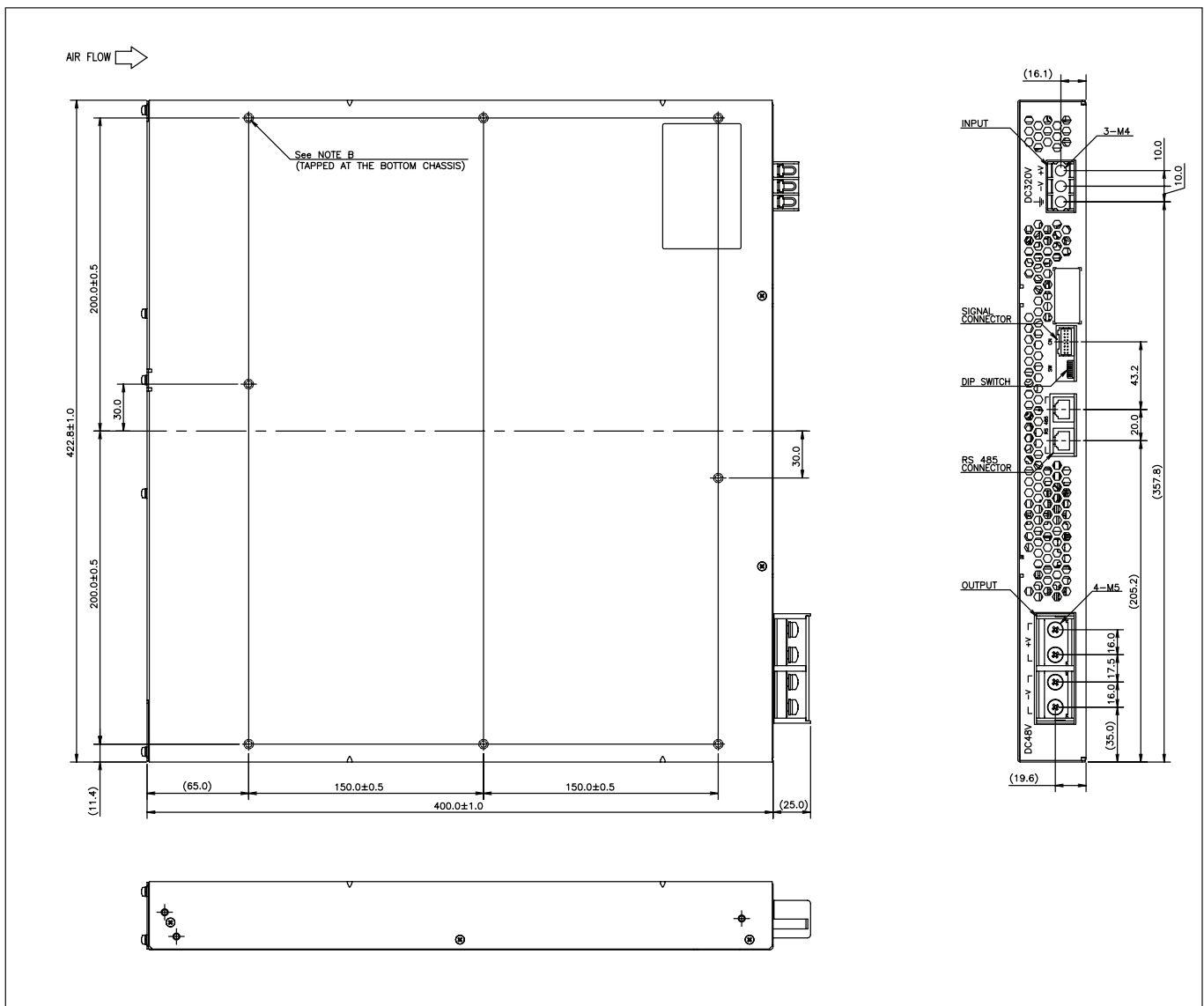
## Basic Operation



## Block Diagram



## Outline Drawing EZA Series



RS-485 Functions			
Model		Low Voltage DC (Battery Side)	High Voltage DC (Grid Side)
Voltage Setting Accuracy	-	< $\pm 0.6V$	< $\pm 4V$
Current Setting Accuracy	-	< $\pm 0.8A$	< $\pm 0.125A$
Voltage Setting Resolution	-	< 60mV	< 0.4V
Current Setting Resolution	-	< 50mA	< 8mA
Voltage Reading Accuracy	-	< $\pm 0.6V$	< $\pm 4V$
Current Reading Accuracy	-	< $\pm 0.8A$	< $\pm 0.125A$
Voltage Reading Resolution	-	< 60mV	< 0.4V
Current Reading Resolution	-	< 50mA	< 8mA
RS-485 Baud Rate	-	19.2kbps / 33.6kbps / 57.6kbps (Set by DIP Switch)	
RS-485 Maximum Connection	-	14	



## TDK-Lambda France SAS

ZAC des Delaches  
CS 41077  
9 rue Thuillere  
91978 Villebon Courtaboeuf  
France  
Tel: +33 1 60 12 71 65  
Fax: +33 1 60 12 71 66  
france@fr.tdk-lambda.com  
www.fr.tdk-lambda.com



## Italy Sales Office

Via dei Lavoratori 128/130  
20092 Cinisello Balsamo (MI)  
Italy  
Tel: +39 02 61 29 38 63  
Fax: +39 02 61 29 09 00  
info.italia@it.tdk-lambda.com  
www.it.tdk-lambda.com



## Netherlands

info@tdk-lambda.nl  
www.tdk-lambda.nl



## TDK-Lambda Germany GmbH

Karl-Bold-Strasse 40  
77855 Achern  
Germany  
Tel: +49 7841 666 0  
Fax: +49 7841 5000  
info.germany@de.tdk-lambda.com  
www.de.tdk-lambda.com



## Austria Sales Office

Aredstrasse 22  
2544 Leobersdorf  
Austria  
Tel: +43 2256 655 84  
Fax: +43 2256 645 12  
info.germany@de.tdk-lambda.com  
www.de.tdk-lambda.com



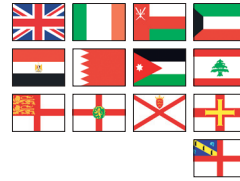
## Scandinavia Sales Office

Valdemarsgade 7  
4100 Ringsted  
Denmark  
Tel: +45 24 63 95 65  
Fax: +45 69 80 44 99  
info@de.tdk-lambda.com  
www.emea.tdk-lambda.com



## Switzerland Sales Office

Bahnhofstrasse 50  
8305 Dietlikon  
Switzerland  
Tel: +41 44 850 53 53  
Fax: +41 44 850 53 50  
info@de.tdk-lambda.com  
www.de.tdk-lambda.com



## TDK-Lambda UK Ltd.

Kingsley Avenue  
Ilfracombe  
Devon EX34 8ES  
United Kingdom  
Tel: +44 (0) 12 71 85 66 66  
Fax: +44 (0) 12 71 86 48 94  
powersolutions@uk.tdk-lambda.com  
www.uk.tdk-lambda.com



## TDK-Lambda Ltd.

Kibbutz  
Givat Hashlosha 48800  
Israel  
Tel: +9 723 902 4333  
Fax: +9 723 902 4777  
info@tdk-lambda.co.il  
www.tdk-lambda.co.il



## C.I.S.

### Commercial Support:

Tel: +7 (495) 665 2627

### Technical Support:

Tel: +7 (812) 658 0463

info@tdk-lambda.ru

www.tdk-lambda.ru

## Local Distribution

Ihr Vertriebspartner:

**HY-LINE**<sup>®</sup>  
POWER COMPONENTS

Inselkammerstraße 10  
D-82008 Unterhaching  
Tel: +49 (0)89 614 503 10  
Fax +49 (0)89 614 503 20  
E-Mail: power@hy-line.de  
URL: www.hy-line.de