

425 10ESDA-TR1

Four channel ultra low capacitance ESD Suppressor



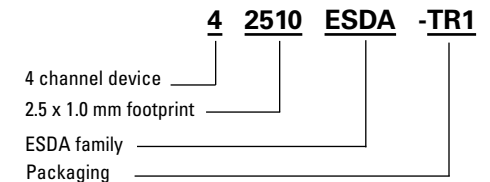
Product features

- Ultra low capacitance ESD suppressor ideally suited for protecting high speed data applications with virtually no signal distortion
- Four channel, bi-directional device helps provide significant PCB layout space savings and trace layout complexity
- Maintains an extremely low leakage current at rated voltage
- Provides ESD protection with fast response time (<1 ns) allowing equipment to pass IEC 61000-4-2 level 4 test
- Matches footprint of common higher capacitance DFN2510-10 TVS diode packages

Applications

- Laptops, notebooks, desktop
- HDTV, set top box
- GPS and Bluetooth communication antenna
- USB 2.0, 3.0 and 3.1
- HDMI 1.3, 1.4a, 2.0
- DisplayPort™
- SATA and eSATA

Ordering part number



Package suffix

-TR1: 5000 parts on a 7" diameter reel

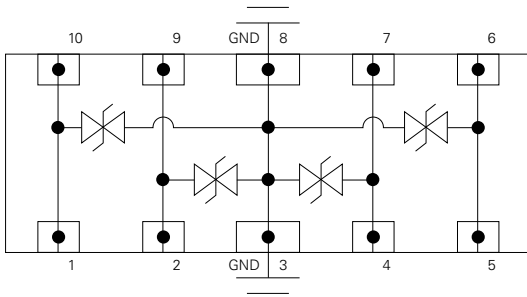
Product specifications

Electrical specifications	Minimum	Typical	Maximum	Units
Rated voltage			12	Vdc
Trigger voltage ²		300		Vdc
Clamping voltage ¹		30		Vdc
Capacitance @ 1 MHz		0.1		pF
Leakage current @ 12 Vdc		0.01		uA
Response time		0.1		ns
ESD Voltage capability to IEC6100-4-2 (contact)	10			kV
ESD Voltage capability to IEC6100-4-2 (air)	15			kV
ESD withstand pulses		1000		Number of pulses

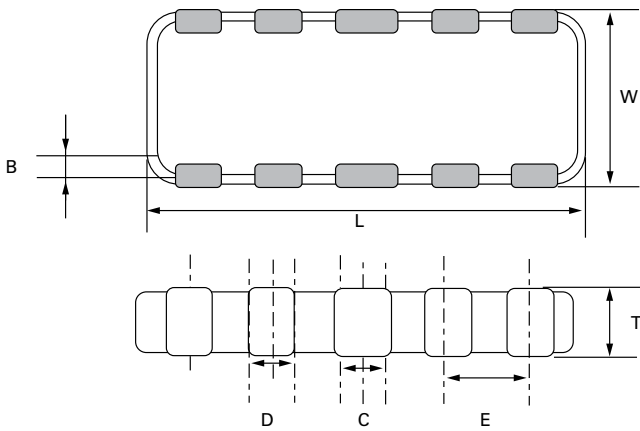
1. Maximum peak voltage with a 8/20 μs waveform and a 1 A pulse current per IEC 61000-4-2 level 4

2. Trigger voltage: Trigger measurement made using Transmission Line Pulse (TLP) method.

Equivalent circuit

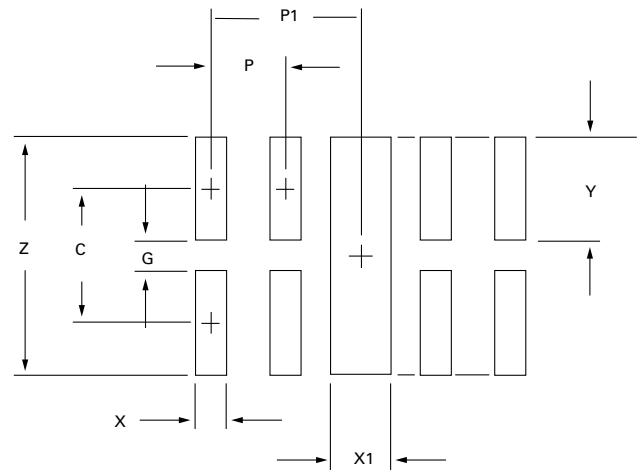


Dimensions—mm



L	W	T	B	C	D	E
2.5 ±0.1	1.0 ±0.1	0.5 ±0.1	0.2 ±0.1	0.3 ±0.05	0.2 ±0.05	0.5 ±0.05

Recommended pad layout

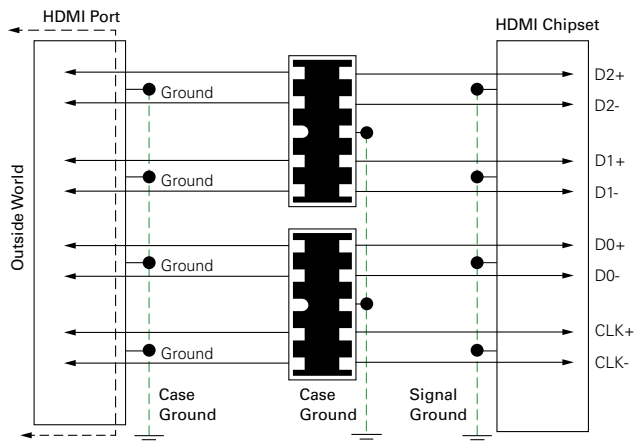


Y	G	Z	X	X1	P	P1	C
0.6	0.2	1.4	0.2	0.3	0.5	1.0	0.8

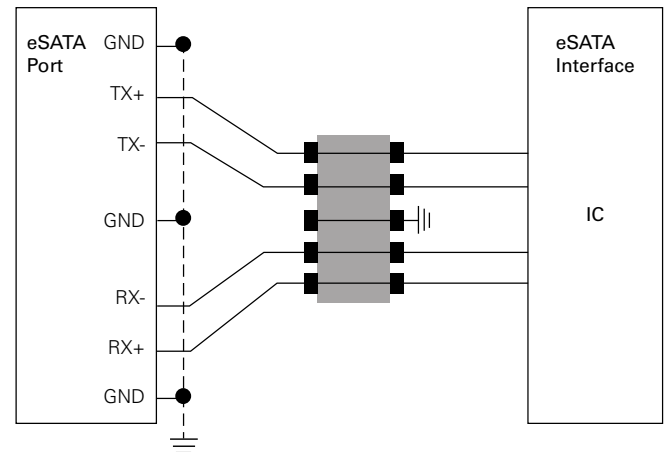
General specifications

Operating temperature: - 55 °C to +125 °C
Storage temperature (component): - 55 °C to +125 °C
High temperature load voltage: +125 °C for 1000 hours at rated voltage
Thermal shock: 100 cycles, -55 °C to +125 °C, 30 minuets dwell time
Resistance to solder heat: +260 °C ±5 °C 10 seconds
Moisture sensitivity level (MSL): 1

HDMI layout

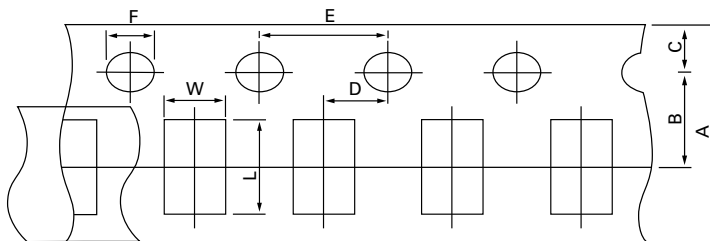


eSATA layout



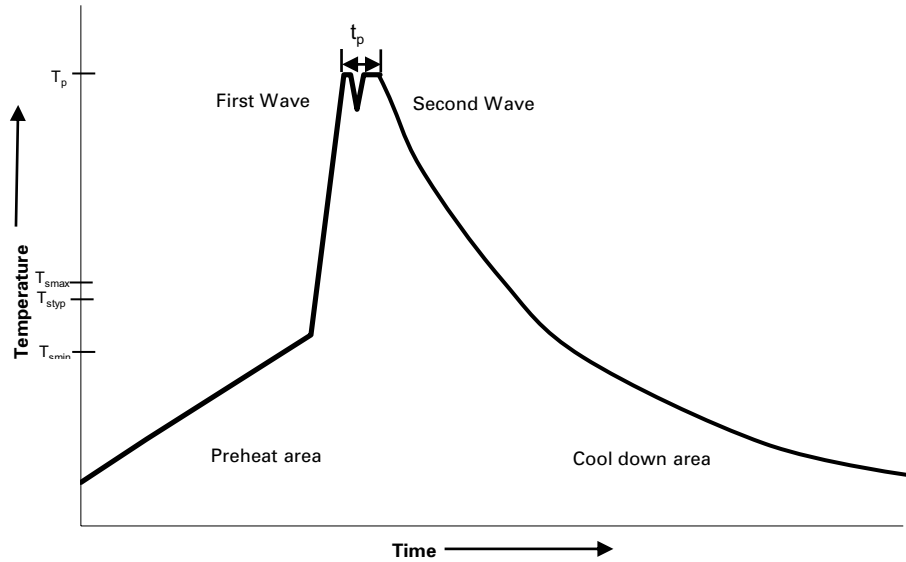
Packaging information- mm

Supplied in tape and reel packaging, 5000 parts per seven inch (178 mm) reel per EIA Standard 481-1



A	B	C	D	E	F	L	W
8.0 ±0.30	3.50 ±0.05	1.75 ±0.10	2.00 ±0.05	4.00 ±0.10	1.5 ±0.10	2.9 ±0.20	1.40 ±0.20

Wave solder profile



Reference EN 61760-1:2006

Profile feature	Standard SnPb solder	Lead (Pb) free solder
Preheat		
• Temperature min. (T_{smin})	100 °C	100 °C
• Temperature typ. (T_{styp})	120 °C	120 °C
• Temperature max. (T_{smax})	130 °C	130 °C
• Time (T_{smin} to T_{smax}) (t_s)	70 seconds	70 seconds
Δ preheat to max Temperature	150 °C max.	150 °C max.
Peak temperature (T_p)*	235 °C – 260 °C	250 °C – 260 °C
Time at peak temperature (t_p)	10 seconds max 5 seconds max each wave	10 seconds max 5 seconds max each wave
Ramp-down rate	~ 2 K/s min ~3.5 K/s typ ~5 K/s max	~ 2 K/s min ~3.5 K/s typ ~5 K/s max
Time 25 °C to 25 °C	4 minutes	4 minutes

Manual solder

+280 °C (3 seconds maximum by soldering iron), generally manual/hand soldering is not recommended.

Solder reflow profile

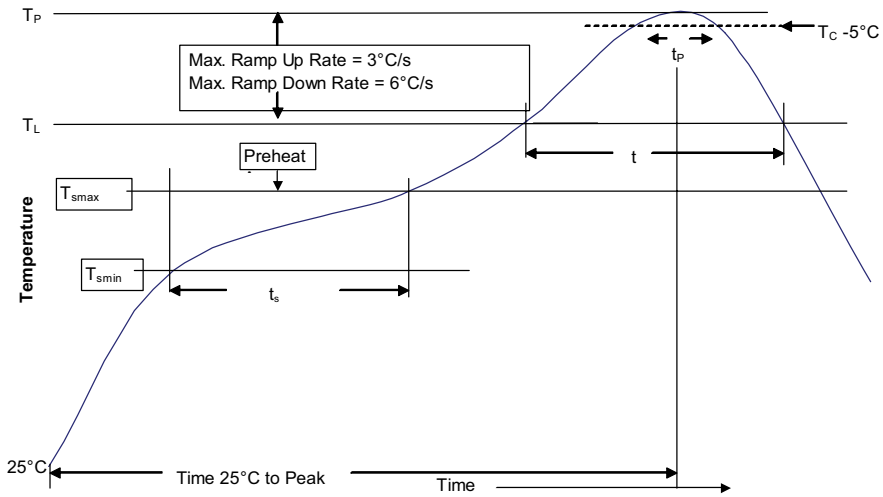


Table 1 - Standard SnPb solder (T_C)

Package thickness	Volume mm ³ <350	Volume mm ³ ≥350
<2.5 mm	235 °C	220 °C
≥2.5 mm	220 °C	220 °C

Table 2 - Lead (Pb) free solder (T_C)

Package thickness	Volume mm ³ <350	Volume mm ³ 350 - 2000	Volume mm ³ >2000
<1.6 mm	260 °C	260 °C	260 °C
1.6 – 2.5 mm	260 °C	250 °C	245 °C
>2.5 mm	250 °C	245 °C	245 °C

Reference J-STD-020

Profile feature	Standard SnPb solder	Lead (Pb) free solder
Preheat and soak	<ul style="list-style-type: none"> Temperature min. (T_{smin}) 100 °C Temperature max. (T_{smax}) 150 °C Time (T_{smin} to T_{smax}) (t_s) 60-120 seconds 	<ul style="list-style-type: none"> 150 °C 200 °C 60-120 seconds
Ramp up rate T _L to T _p	3 °C/ second max.	3 °C/ second max.
Liquidous temperature (T _L)	183 °C	217 °C
Time (t _L) maintained above T _L	60-150 seconds	60-150 seconds
Peak package body temperature (T _p)*	Table 1	Table 2
Time (t _p)* within 5 °C of the specified classification temperature (T _C)	20 seconds*	30 seconds*
Ramp-down rate (T _p to T _L)	6 °C/ second max.	6 °C/ second max.
Time 25 °C to peak temperature	6 minutes max.	8 minutes max.

* Tolerance for peak profile temperature (T_p) is defined as a supplier minimum and a user maximum.

Life Support Policy: Eaton does not authorize the use of any of its products for use in life support devices or systems without the express written approval of an officer of the Company. Life support systems are devices which support or sustain life, and whose failure to perform, when properly used in accordance with instructions for use provided in the labeling, can be reasonably expected to result in significant injury to the user.

Eaton reserves the right, without notice, to change design or construction of any products and to discontinue or limit distribution of any products. Eaton also reserves the right to change or update, without notice, any technical information contained in this bulletin.

Eaton
Electronics Division
1000 Eaton Boulevard
Cleveland, OH 44122
United States
Eaton.com/electronics

Ihr Vertriebspartner:
HY-LINE
hy-line.de
LEADER IN TECHNOLOGY.

HY-LINE Power Components
Vertriebs GmbH
Inselkammerstr. 10
D-82008 Unterhaching
☎ +49 89/ 614 503 -10
power@hy-line.de

HY-LINE AG
Hochstrasse 355
CH-8200 Schaffhausen
☎ +41 52 647 42 00
info@hy-line.ch