



Ihr Vertriebspartner:

HY-LINE®
POWER COMPONENTS

Inselkammerstraße 10
D-82008 Unterhaching
Tel: +49 (0)89 614 503 10
Fax: +49 (0)89 614 503 20
E-Mail: power@hy-line.de
URL: www.hy-line.de

Gründenstrasse 82
CH-8247 Flurlingen
Tel: +41 (0)52 647 42 00
Fax: +41 (0)52 647 42 01
E-Mail: power@hy-line.ch
URL: www.hy-line.ch

E62-3ph AND 3HF

HEAVY DUTY THREE PHASE AC FILTER CAPACITORS



HIGH-END FOR THE HEART OF YOUR AC FILTER

ELECTRONICON®
always in charge

Choose the best capacitor
for any of your power electronics applications:

AC and DC capacitors with integrated safety mechanism
E62 AC/DC E62-3ph AC Filter E63 DC

Low-inductance capacitors
E50 PK16™ DC E53 AC/DC E61 DC

Low-inductance High-voltage capacitors
E51

AC and DC capacitors with large capacitance
E56 DC E59 AC/DC E70 AC E50.U SR17™ DC

CAPACITORS

ELECTRONICON®

always in charge

E62-3ph and 3HF: HEAVY DUTY THREE PHASE AC FILTER CAPACITORS

DREIPHASIGE AC FILTER-KONDENSATOREN





E62-3ph and 3HF High-End Capacitors for the Heart of your AC Filter

Our three-phase filter capacitors stand out by their high AC-voltage load capacity. They have been designed especially for heavy duty operation in extreme or sophisticated operating conditions, such as AC filtering and power factor correction in wind power and UPS applications, harmonic filtering in three-phase mains with high or unusual levels of harmonic distortion, a.m.o.

Thanks to their construction, they have a very low series resistance and a small self-inductance. Our basic design principle – preferring short winding elements with comparably large diameters – as well as the use of wavecut technology in many models, serves for high rms and surge current strength.

The three capacitor elements are connected in delta internally; the plant oil filling is environmentally friendly and serves for optimized heat dissipation and improved internal insulation. Many capacitors of the E62-3ph range are also available as completely dry option with nitrogen filling on request. The finger-proof CAPAGRIP™ screw terminals of our E62-3ph series are rated IP20 and make for simple and reliable connections and easy addition of IP20-resistors or reactors for discharge.

Our new range E62-3HF is equipped with terminals optimized for the use in filters with very high harmonic frequencies of >1kHz.

The standard design has a long-term stable capacitance tolerance of ±5%. Tighter tolerances are available on request.

Very good self-healing characteristics and the integrated overpressure protection (BAM™) ensure safe operation and controlled disconnection in the event of overload or failure at the end of operating life.

E62-3ph und 3HF High-End Kondensatoren für Ihren WechselspannungsfILTER

Unsere dreiphasigen Filterkondensatoren zeichnen sich durch hohe Wechselspannungsbelastbarkeit und Stoßspannungsfestigkeit aus. Sie wurden speziell für die Verwendung unter komplizierten Betriebsbedingungen entwickelt, wie sie zum Beispiel bei der Oberwellenfilterung in Dreiphasennetzen und beim Einsatz in Windkraftanlagen und USV auftreten.

Dank ihrer speziellen Konstruktion weisen sie besonders niedrige Serienwiderstände und geringe Eigeninduktivität auf. Unser grundlegendes Designprinzip – vorzugsweise flache Wickel mit verhältnismäßig großem Durchmesser – sowie die in vielen Modellen eingesetzte Wellenschnitt-Technologie ermöglichen die in Filteranwendungen so wichtige Festigkeit gegenüber hohen Effektiv- und Stoßströmen.

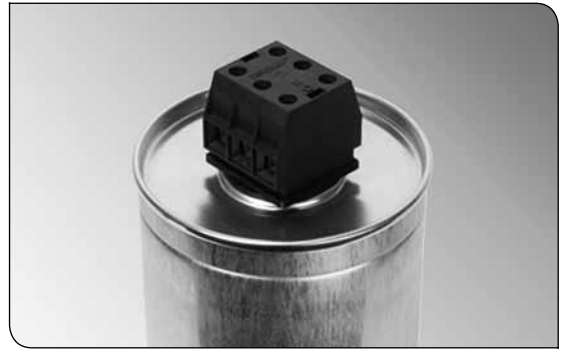
Die drei Kondensatorelemente sind intern im Dreieck verschaltet. Die umweltfreundliche Füllung mit Pflanzenöl sorgt für optimierte Ableitung der Verlustwärme und verbesserte Isolation. Viele Typen der E62-3ph Reihe sind auf Anfrage auch als komplett trockene Ausführung mit Stickstofffüllung erhältlich. Die berührungsgeschützten CAPAGRIP™-Anschlüsse unserer E62-3ph Reihe mit Schutzgrad IP20 erleichtern die Montage und ermöglichen das einfache Hinzufügen von IP20-Entladewiderständen oder -drosseln.

Unsere neue Baureihe E62-3HF ist mit Anschlusselementen ausgestattet, die für den Gebrauch in Filtern mit sehr hohen Oberwellen von >1kHz optimiert wurden.

In der Standardausführung beträgt die Kapazitätstoleranz ±5%. Engere Toleranzen sind auf Anfrage möglich.

Für einen sicheren Schutz bei Überlastung bzw. einen kontrollierten Ausfall am Ende der Lebensdauer sorgen die sehr gute Selbstheilfähigkeit sowie ein in den Kondensatoren integrierter Überdruck-Unterbrecher (BAM™).

E62 - 3ph
AC - Filter
640...750V AC



Three phase AC-Filter Capacitors
Dreiphasige Wechselspannungs-Filterkondensatoren



Standards IEC 61071
optional IEC 61881
optional IEC 60831
UL 810

can Gehäuse aluminium Aluminium

mounting position Einbaulage ... terminals pointing upwards stehend

filling material Füllmittel liquid, based on vegetable oil, non-PCB
optionally available with gas-filling
flüssig, auf Pflanzenölbasis, PCB-frei
optional auch mit Gasfüllung erhältlich

Internal protection break-action mechanism (BAM)

Interne Sicherung Überdrucksicherung

fire load Brandlast 40 MJ/kg

C_N tolerance Toleranz $\pm 5\%$

$\tan \delta_0$ 2×10^{-4}

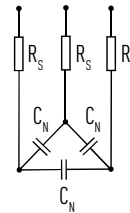
operating temperatures Grenztemperaturen
 $\Theta_{min} \dots \Theta_{max}$ $-50 \dots +85^\circ\text{C}$
 $\Theta_{HOTSPOT}$ $\leq 85^\circ\text{C}$

storing temperature Lagertemperatur $-50 \dots +85^\circ\text{C}$

statistical lifetime statistische Lebensdauer $>200,000\text{h}$

Failure rate Ausfallrate 100 FIT

reference service life_Referenzbetriebsdauer 100000 h, $\Theta_{HOTSPOT} \leq 70^\circ\text{C}$



Principal circuit diagram_Prinzipschaltbild



C_N (μF)	R_s ($\text{m}\Omega$)	L_e (nH)	R_{th} (K/W)	I_{max} (A)	\hat{I} (kA)	I_s (kA)	$D_1 \times L_1$ (mm)	Design Maßbild	m (kg)	order no. Bestell-Nr.	pcs / box Stk / Box
U_N 640V AC		U_{rms} 450V		U_s 1380V		U_{BB} 1060V 50Hz AC / 2s		U_{BG} 3600V 50Hz AC / 2s			
3 × 24	3 × 1.5	110	6.3	3 × 16	0.67	2.01	60 × 151	D3	0.4	E62.K15-243D30	18 / FB0
3 × 33	3 × 1.2	90	4.7	3 × 56	0.9	2.7	75 × 164	L3	0.8	E62.M16-333L30	5 / FB8
3 × 40	3 × 1.2	130	4.7	3 × 56	1.1	3.3	75 × 164	L3	0.8	E62.M16-403L30	5 / FB8
3 × 46	3 × 1.1	110	4.1	3 × 56	1.3	3.9	85 × 164	L3	1.0	E62.N16-463L30	5 / FB8
3 × 51	3 × 1.1	140	4.1	3 × 56	1.4	4.2	85 × 164	L3	1.0	E62.N16-513L30	5 / FB8
3 × 57	3 × 0.8	120	3.7	3 × 56	1.6	4.8	95 × 164	L3	1.2	E62.P16-573L30	3 / FB8
3 × 68	3 × 0.8	100	3.7	3 × 56	2.0	6.0	95 × 164	L3	1.2	E62.P16-683L30	3 / FB8
3 × 80	3 × 0.6	100	3.0	3 × 56	2.6	7.8	116 × 164	L3	2.1	E62.R16-803L30	3 / FB8
3 × 100	3 × 0.4	100	3.0	3 × 56	3.0	9.0	116 × 164	L3	2.1	E62.R16-104L30	3 / FB8
3 × 135	3 × 0.55	120	2.1	3 × 80	2.5	7.5	116 × 230	M3	2.5	E62.R23-134M30	3 / FB9
3 × 200	3 × 0.55	125	1.8	3 × 80	3.5	10.5	136 × 230	M3	3.4	E62.S23-204M30	2 / FB9
U_N 750V AC		U_{rms} 530V		U_s 1610V		U_{BB} 1250V 50Hz AC / 2s		U_{BG} 3600V 50Hz AC / 2s			
3 × 9	3 × 1.8	100	7.6	3 × 16	0.34	1.02	50 × 151	D3	0.3	E62.G15-902D30	21 / FB0
3 × 10	3 × 1.8	100	7.6	3 × 16	0.35	1.05	50 × 151	D3	0.3	E62.G15-103D30	21 / FB7
3 × 12	3 × 1.7	100	6.9	3 × 16	0.5	1.5	55 × 151	D3	0.35	E62.H15-123D30	18 / FB0
3 × 16	3 × 1.6	100	6.3	3 × 16	0.6	1.8	60 × 151	D3	0.4	E62.K15-163D30	18 / FB0

Other values and dimensions available on request_Andere Werte und Abmessungen auf Anfrage erhältlich



E62 - 3ph
AC - Filter
750...1130V AC

C_N (μF)	R_S ($\text{m}\Omega$)	L_e (nH)	R_{th} (K/W)	I_{max} (A)	\hat{I} (kA)	I_S (kA)	$D_1 \times L_1$ (mm)	Design Maßbild	m (kg)	order no. Bestell-Nr.	pcs / box Stk / Box
U_N 750V AC		U_{rms} 530V		U_S 1610V		U_{BB} 1250V 50Hz AC / 2s			U_{BG} 3600V 50Hz AC / 2s		
3 × 23	3 × 1.2	100	4.7	3 × 56	0.86	2.58	75 × 164	L3	0.8	E62.M16-233L30	5 / FB8
3 × 29	3 × 1.2	130	4.1	3 × 56	1.1	3.3	85 × 164	L3	1.0	E62.N16-293L30	5 / FB8
3 × 30	3 × 1.2	120	4.1	3 × 56	1.1	3.3	85 × 164	L3	1.0	E62.N16-303L30	5 / FB8
3 × 38.4	3 × 0.65	120	3.7	3 × 56	1.4	4.2	95 × 164	L3	1.2	E62.P16-383L30	3 / FB8
3 × 47.9	3 × 0.75	145	3.5	3 × 56	1.8	5.4	100 × 164	L3	1.5	E62.Q16-483L30	3 / FB8
3 × 100	3 × 0.6	120	2.1	3 × 80	2.2	6.6	116 × 230	M3	2.5	E62.R23-104M30	3 / FB9
U_N 850V AC		U_{rms} 600V		U_S 1830V		U_{BB} 1420V 50Hz AC / 2s			U_{BG} 4800V 50Hz AC / 2s		
3 × 6	3 × 2	100	7.6	3 × 16	0.25	1.25	50 × 151	D3	0.3	E62.G15-602D30	21 / FB7
3 × 6.7	3 × 2	100	7.6	3 × 16	0.3	0.9	50 × 151	D3	0.3	E62.G15-672D30	21 / FB0
3 × 9	3 × 1.7	100	6.9	3 × 16	0.37	1.11	55 × 151	D3	0.35	E62.H15-902D30	18 / FB0
3 × 11	3 × 1.8	100	6.9	3 × 16	0.45	1.35	55 × 151	D3	0.35	E62.H15-113D30	18 / FB0
3 × 12	3 × 1.7	105	6.3	3 × 16	0.5	1.5	60 × 151	D3	0.4	E62.K15-123D30	18 / FB0
3 × 14	3 × 1.3	130	4.7	3 × 56	0.6	1.8	75 × 164	L3	0.8	E62.M16-143L30	5 / FB8
3 × 19	3 × 1.2	100	4.7	3 × 56	0.75	2.25	75 × 164	L3	0.8	E62.M16-193L30	5 / FB8
3 × 25	3 × 1.1	100	4.1	3 × 56	1.0	3.0	85 × 164	L3	1.0	E62.N16-253L30	5 / FB8
3 × 30	3 × 0.7	100	3.7	3 × 56	1.2	3.6	95 × 164	L3	1.2	E62.P16-303L30	3 / FB8
3 × 37.5	3 × 0.8	100	3.5	3 × 56	1.5	4.5	100 × 164	L3	1.5	E62.Q16-383L30	3 / FB8
3 × 50	3 × 0.4	100	3.0	3 × 56	2.0	6.0	116 × 164	L3	2.1	E62.R16-503L30	3 / FB8
3 × 86	3 × 0.5	100	2.1	3 × 56	2.8	8.4	136 × 196	L3	2.8	E62.S19-863L30	2 / FB9
U_N 1080V AC		U_{rms} 760V		U_S 2320V		U_{BB} 1800V 50Hz AC / 2s			U_{BG} 4800V 50Hz AC / 2s		
3 × 4.7	3 × 1.8	100	7.6	3 × 16	0.5	1.5	50 × 151	D3	0.3	E62.G15-472D30	21 / FB0
3 × 5	3 × 1.6	100	6.9	3 × 16	0.55	1.65	55 × 151	D3	0.35	E62.H15-502D30	18 / FB0
3 × 6.2	3 × 1.2	120	4.7	3 × 56	0.9	2.7	75 × 164	L3	0.8	E62.M16-622L30	5 / FB8
3 × 7.3	3 × 1.5	100	6.3	3 × 16	0.8	2.4	60 × 151	D3	0.4	E62.K15-732D30	18 / FB0
3 × 9.7	3 × 1.2	120	4.7	3 × 56	1.1	3.3	75 × 164	L3	0.8	E62.M16-972L30	5 / FB8
3 × 11	3 × 0.9	120	4.7	3 × 56	1.2	3.6	75 × 164	L3	0.8	E62.M16-113L30	5 / FB8
3 × 16.7	3 × 0.65	130	3.7	3 × 56	1.9	5.7	95 × 164	L3	1.2	E62.P16-173L30	3 / FB8
3 × 18.4	3 × 0.6	110	3.7	3 × 56	2.0	6.0	95 × 164	L3	1.2	E62.P16-183L30	3 / FB8
3 × 22	3 × 0.6	120	3.5	3 × 56	2.5	7.5	100 × 164	L3	1.5	E62.Q16-223L30	3 / FB8
3 × 27.6	3 × 0.4	120	3.0	3 × 56	3.1	9.3	116 × 164	L3	2.1	E62.R16-283L30	3 / FB8
3 × 33.4	3 × 0.4	120	3.0	3 × 56	3.6	10.8	116 × 164	L3	2.1	E62.R16-333L30	3 / FB8
3 × 49	3 × 0.55	120	2.1	3 × 56	3.2	9.6	116 × 230	L3	2.5	E62.R23-493L30	3 / FB9
3 × 55.7	3 × 0.4	130	2.1	3 × 56	5.0	15	136 × 196	L3	2.8	E62.S19-563L30	2 / FB9
U_N 1130V AC		U_{rms} 800V		U_S 2430V		U_{BB} 1890V 50Hz AC / 2s			U_{BG} 4800V 50Hz AC / 2s		
3 × 24.9	3 × 0.55	130	2.9	3 × 56	2.2	6.6	100 × 196	L3	1.6	E62.Q19-253L30	3 / FB9
3 × 33.2	3 × 0.52	130	2.5	3 × 56	2.9	8.7	116 × 196	L3	2.2	E62.R19-333L30	3 / FB9
3 × 41.4	3 × 0.5	130	2.1	3 × 56	3.7	1.1	136 × 196	L3	3.0	E62.S19-413L30	2 / FB9
3 × 46.5	3 × 0.5	130	2.1	3 × 56	4.0	1.2	136 × 196	L3	3.0	E62.S19-463L30	2 / FB9

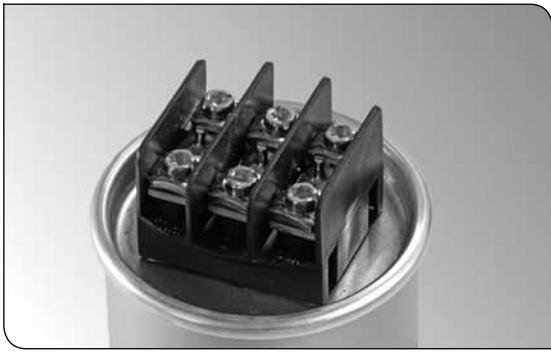


E62 - 3ph
AC - Filter
1200...1700V AC



C_N (μF)	R_S ($\text{m}\Omega$)	L_e (nH)	R_{th} (K/W)	I_{max} (A)	\hat{I} (kA)	I_S (kA)	$D_1 \times L_1$ (mm)	Design Maßbild	m (kg)	order no. Bestell-Nr.	pcs / box Stk / Box
U_N 1200V AC		U_{rms} 850V		U_S 2580V		U_{BB} 2010V 50Hz AC / 2s			U_{BG} 4800V 50Hz AC / 2s		
3 × 2.5	3 × 1.8	100	7.6	3 × 16	0.33	1.65	50 × 151	D3	0.3	E62.G15-252D30	21 / FB7
3 × 3	3 × 1.7	100	7.6	3 × 16	0.43	2.15	50 × 151	D3	0.3	E62.G15-302D30	21 / FB7
3 × 4	3 × 1.6	100	7.6	3 × 16	0.5	1.5	50 × 151	D3	0.3	E62.G15-402D30	21 / FB7
3 × 8	3 × 1.3	120	4.9	3 × 56	1.0	3.0	75 × 164	L3	0.8	E62.M16-802L30	5 / FB8
3 × 12	3 × 1.1	120	4.3	3 × 56	1.5	4.5	85 × 164	L3	1.0	E62.N16-123L30	5 / FB8
3 × 23	3 × 0.5	130	2.9	3 × 56	2.3	6.9	100 × 196	L3	1.4	E62.Q19-233L30	3 / FB9
3 × 25	3 × 0.4	130	3.2	3 × 56	3.2	9.6	116 × 164	L3	2.1	E62.R16-253L30	3 / FB8
3 × 41.5	3 × 0.55	120	2.1	3 × 56	3.0	9.0	116 × 230	L3	2.5	E62.R23-413L30	3 / FB9
3 × 50	3 × 0.5	125	1.8	3 × 56	3.6	10.8	136 × 230	L3	3.4	E62.S23-503L30	2 / FB9
3 × 55.7	3 × 0.45	130	1.8	3 × 80	3.9	11.7	136 × 230	M3	3.4	E62.S23-563M30	2 / FB9
U_N 1400V AC		U_{rms} 1000V		U_S 3010V		U_{BB} 2370V 50Hz AC / 2s			U_{BG} 4800V 50Hz AC / 2s		
3 × 11	3 × 0.45	130	3.0	3 × 56	2.0	6.0	116 × 164	L3	2.1	E62.R16-113L30	3 / FB8
3 × 20	3 × 0.6	120	2.1	3 × 56	1.8	5.4	116 × 230	L3	2.5	E62.R23-203L30	3 / FB9
3 × 33	3 × 0.55	120	1.8	3 × 56	3.0	9.0	136 × 230	L3	3.4	E62.S23-333L30	2 / FB9
3 × 40	3 × 0.65	140	1.5	3 × 56	2.8	8.4	136 × 280	L3	3.8	E62.S28-403L30	2 / FB10
U_N 1700V AC		U_{rms} 1200V		U_S 3660V		U_{BB} 2840V 50Hz AC / 2s			U_{BG} 4800V 50Hz AC / 2s		
3 × 12	3 × 1.0	140	2.6	3 × 56	1.3	3.9	95 × 230	L3	2.3	E62.P23-123L30	3 / FB9
3 × 22	3 × 0.6	120	1.8	3 × 56	2.3	6.9	136 × 230	L3	3.4	E62.S23-223L30	2 / FB9





E62 - 3HF
High Frequency
640...750V AC

Three phase AC Capacitors for High Filter Frequencies
Dreiphasige Wechselspannungs-Kondensatoren für hohe Filterfrequenzen



Standards IEC 61071
optional IEC 61881
optional IEC 60831
UL 810

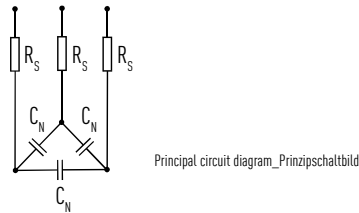
can Gehäuse aluminium Aluminium
mounting position Einbaulage ... terminals pointing upwards stehend
filling material Füllmittel liquid, based on vegetable oil, non-PCB
flüssig, auf Pflanzenölbasis, PCB-frei

Internal protection break-action mechanism (BAM)
Interne Sicherung Überdrucksicherung
fire load Brandlast 40 MJ/kg
C_N tolerance Toleranz ±5%
tanδ₀ 2 × 10⁻⁴

operating temperatures Grenztemperaturen
Θ_{min} ... Θ_{max} -50 ... +85°C
Θ_{HOTSPOT} ≤ 85°C

storing temperature Lagertemperatur -50 ... +85°C

statistical lifetime statistische Lebensdauer >200,000h
Failure rate Ausfallrate 100 FIT
reference service life_Referenzbetriebsdauer 100000 h, Θ_{HOTSPOT} ≤ 70°C



C _N (μF)	R _s (mΩ)	L _e (nH)	R _{th} (K/W)	I _{max} (A)	I _h (kA)	I _s (kA)	D ₁ × L ₁ (mm)	Design Maßbild	m (kg)	order no. Bestell-Nr.	pcs / box Stk / Box
U_N 640V AC			U_{rms} 450V			U_s 1380V		U_{BB} 1060V 50Hz AC / 2s		U_{BG} 3600V 50Hz AC / 2s	
3 × 33	3 × 0.9	110	4.7	3 × 39	0.9	2.7	75 × 164	Z3	0.8	E62.M16-333Z30	5 / FB8
3 × 40	3 × 0.9	110	4.7	3 × 39	1.1	3.3	75 × 164	Z3	0.8	E62.M16-403Z30	5 / FB8
3 × 46	3 × 0.7	120	4.1	3 × 56	1.3	3.9	85 × 164	S3	1.0	E62.N16-463S30	5 / FB8
3 × 51	3 × 0.7	120	4.1	3 × 56	1.4	4.2	85 × 164	S3	1.0	E62.N16-513S30	5 / FB8
3 × 68	3 × 0.6	125	3.7	3 × 56	1.9	5.7	95 × 164	S3	1.2	E62.P16-683S30	5 / FB8
3 × 80	3 × 0.7	130	3.1	3 × 56	1.8	5.4	95 × 196	S3	1.5	E62.P19-803S30	3 / FB9
3 × 100	3 × 0.6	130	2.5	3 × 56	2.5	7.5	116 × 196	S4	2.2	E62.R19-104S40	3 / FB9
3 × 140	3 × 0.7	120	2.4	3 × 56	2.5	7.5	116 × 230	S4	2.6	E62.R23-144S40	3 / FB9
U_N 750V AC			U_{rms} 530V			U_s 1610V		U_{BB} 1250V 50Hz AC / 2s		U_{BG} 3600V 50Hz AC / 2s	
3 × 16	3 × 1.1	100	5.4	3 × 39	0.6	1.8	65 × 164	Z3	0.6	E62.L16-163Z30	10 / FB8
3 × 23	3 × 1.0	110	4.7	3 × 39	0.85	2.5	75 × 164	Z3	0.8	E62.M16-233Z30	5 / FB8
3 × 30	3 × 0.7	120	4.1	3 × 56	1.1	3.3	85 × 164	S3	1.0	E62.N16-303S30	5 / FB8
3 × 38.4	3 × 0.6	125	3.7	3 × 56	1.4	4.2	95 × 164	S3	1.2	E62.P16-383S30	3 / FB8
3 × 47.9	3 × 0.7	130	3.1	3 × 56	1.4	4.2	95 × 196	S3	1.5	E62.P19-483S30	3 / FB9
3 × 75	3 × 0.6	130	2.5	3 × 56	2.1	6.3	116 × 196	S4	2.2	E62.R19-753S40	3 / FB9
3 × 100	3 × 0.7	120	2.4	3 × 56	2.1	6.3	116 × 230	S4	2.6	E62.R23-104S40	3 / FB9



*
*

*
*

* available from end of 2014_ab Ende 2014 erhältlich



E62 - 3HF
High Frequency
850...1200V AC



C_N (μF)	R_S ($\text{m}\Omega$)	L_e (nH)	R_{th} (K/W)	I_{max} (A)	\hat{I} (kA)	I_s (kA)	$D_1 \times L_1$ (mm)	Design Maßbild	m (kg)	order no. Bestell-Nr.	pcs / box Stk / Box
U_N 850V AC		U_{rms} 600V		U_s 1830V		U_{BB} 1420V 50Hz AC / 2s			U_{BG} 4800V 50Hz AC / 2s		
3 × 9	3 × 1.0	100	5.8	3 × 39	0.8	2.4	60 × 164	Z3	0.5	E62.K16-902Z30	10/FB8
3 × 11	3 × 0.9	100	5.4	3 × 39	1.0	3.0	65 × 164	Z3	0.6	E62.L16-113Z30	10/FB8
3 × 12	3 × 0.9	100	5.4	3 × 39	1.1	3.3	65 × 164	Z3	0.6	E62.L16-123Z30	10/FB8
3 × 14	3 × 1.0	120	4.5	3 × 39	1.0	3.0	65 × 196	Z3	0.7	E62.L19-143Z30	10/FB9
3 × 19	3 × 0.9	125	3.9	3 × 39	1.3	3.9	75 × 196	Z3	0.9	E62.M19-193Z30	5/FB9
3 × 25	3 × 0.7	130	3.4	3 × 56	1.7	5.2	85 × 196	S3	1.2	E62.N19-253S30	5/FB9
3 × 30	3 × 0.6	130	3.1	3 × 56	2.0	6.0	95 × 196	S3	1.5	E62.P19-303S30	3/FB9
3 × 37.5	3 × 0.55	130	2.9	3 × 56	2.4	7.2	100 × 196	S4	1.6	E62.Q19-373S40	3/FB9
3 × 50	3 × 0.5	130	2.5	3 × 56	3.4	10.2	116 × 196	S4	2.2	E62.R19-503S40	3/FB9
3 × 72.5	3 × 0.65	120	2.5	3 × 56	3.6	10.8	116 × 230	S4	2.6	E62.R23-723S40	3/FB9
U_N 1080V AC		U_{rms} 760V		U_s 2320V		U_{BB} 1800V 50Hz AC / 2s			U_{BG} 4800V 50Hz AC / 2s		
3 × 11	3 × 1.0	110	4.7	3 × 39	1.2	3.6	75 × 164	Z3	0.8	E62.M16-113Z30	5/FB8
3 × 18.4	3 × 0.6	125	3.7	3 × 56	2.0	6.0	95 × 164	S3	1.2	E62.P16-183S30	3/FB8
3 × 22	3 × 0.7	130	3.1	3 × 56	2.0	6.0	95 × 196	S3	1.5	E62.P19-223S30	3/FB9
3 × 27.6	3 × 0.5	130	2.5	3 × 56	2.4	7.2	116 × 196	S4	2.2	E62.R19-273S40	3/FB9
3 × 33.4	3 × 0.6	130	2.5	3 × 56	2.9	8.7	116 × 196	S4	2.2	E62.R19-333S40	3/FB9
U_N 1130V AC		U_{rms} 800V		U_s 2430V		U_{BB} 1890V 50Hz AC / 2s			U_{BG} 4800V 50Hz AC / 2s		
3 × 24.9	3 × 0.6	130	2.9	3 × 56	2.2	6.6	100 × 196	S4	1.6	E62.Q19-253S40	3/FB9
3 × 33.2	3 × 0.6	130	2.5	3 × 56	2.9	8.7	116 × 196	S4	2.2	E62.R19-333S40	3/FB9
3 × 41.4	3 × 0.7	120	2.4	3 × 56	2.7	8.1	116 × 230	S4	2.6	E62.R23-413S40	3/FB9
3 × 46	3 × 0.65	120	2.4	3 × 56	2.9	8.7	116 × 230	S4	2.6	E62.R23-463S40	3/FB9
U_N 1200V AC		U_{rms} 850V		U_s 2580V		U_{BB} 2010V 50Hz AC / 2s			U_{BG} 4800V 50Hz AC / 2s		
3 × 8.0	3 × 1.0	110	4.7	3 × 39	1.0	3.0	75 × 164	Z3	0.8	E62.M16-802Z30	5/FB8
3 × 25	3 × 0.5	130	2.5	3 × 56	2.4	7.2	116 × 196	S4	2.2	E62.R19-253S40	3/FB9
3 × 37.5	3 × 0.7	120	2.4	3 × 56	2.6	7.8	116 × 230	S4	2.6	E62.R23-373S40	3/FB9

* available from end of 2014 _ab Ende 2014 erhältlich

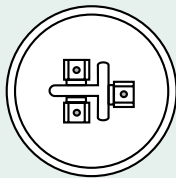
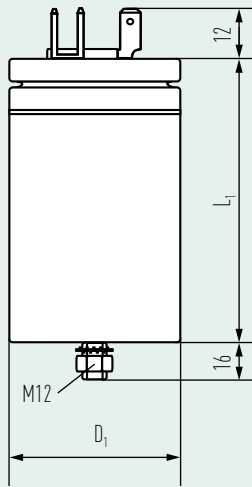


DIMENSIONAL DRAWINGS MASSZEICHNUNGEN





Design D3



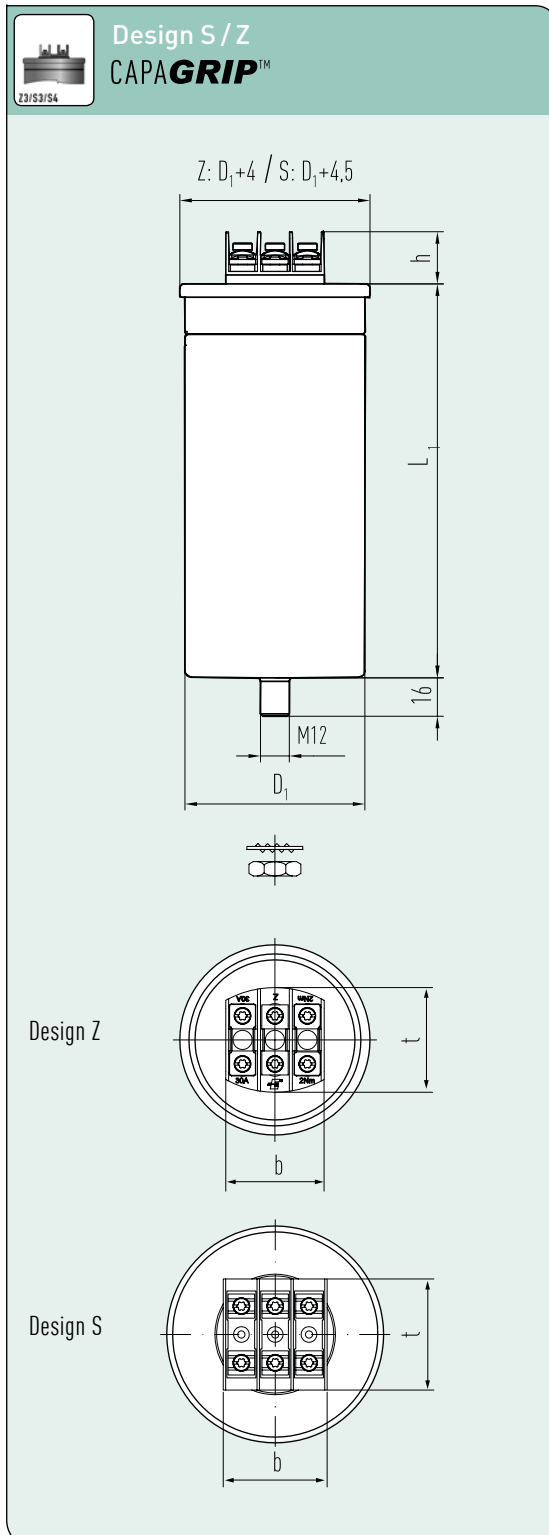
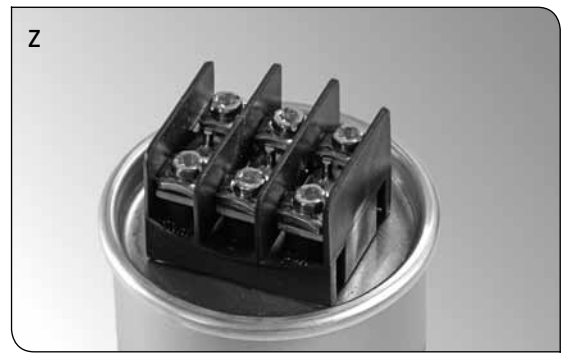
CAPACITORS WITH A CAN DIAMETER OF 50...75 mm

- Can material aluminium
- Base mounting stud M12
- Lid plastic with rubber sealing, flanged can
- Terminals dual tab connectors 6.3 × 0.8 mm
(tinned steel, riveted)
- I_{max} (Terminals) 16 A
- Degree of protection IP 00
- L 8 mm
- Humidity class F

KONDENSATOREN MIT EINEM GEHÄUSEDURCHMESSER VON 50...75 mm

- Gehäusematerial Aluminium
- Bodenschraube M12
- Deckel Kunststoff, Bördelverschluss
mit Gummidichtung
- Anschlüsse Doppelflachstecker 6.3 × 0.8 mm
(verzinnter Stahl, genietet)
- I_{max} (Anschlüsse) 16 A
- Schutzgrad IP 00
- L 8 mm
- Feuchteklasse F





CAPACITORS WITH A CAN DIAMETER OF 60...116 mm

- Can material aluminium
 Base mounting stud M12
 Lid flanged aluminium (folded edge)
 Terminals
 Z3 $2 \times 10 \text{ mm}^2$ per contact
 M4, T2; torque: 1.2 - 2 Nm
 S3 $2 \times 16 \text{ mm}^2$ per contact
 M4, T2; torque: 2,5 Nm
- I_{max} (Terminals)
 Z3 39 A
 S3 56 A
- Degree of protection IP 00
 L 10 mm
 Humidity class C

KONDENSATOREN MIT EINEM GEHÄUSEDURCHMESSER VON 60...116 mm

- Gehäusematerial Aluminium
 Bodenschraube M12
 Deckel Aluminium, Bördelverschluss
 Anschlüsse
 Z3 $2 \times 10 \text{ mm}^2$ pro Kontakt
 M4, T2; Drehmoment: 1.2 - 2 Nm
 S3 $2 \times 16 \text{ mm}^2$ pro Kontakt
 M4, T2; Drehmoment: 2,5 Nm
- I_{max} (Anschlüsse)
 Z3 39 A
 S3 56 A
- Schutzgrad IP 00
 L 10 mm
 Feuchteklasse C

	Design Z3	Design S3
h	22	19
b	41	43
t	43.5	46

Important Remarks

Safety

ELECTRONICON will not indemnify or be responsible for any kind of damages to persons or property due to the improper application of any capacitors purchased from ELECTRONICON or its distributors.

The capacitors should only be used for the application intended.

Mind that electrical or mechanical misapplication of capacitors can become hazardous. Misapplied capacitors can explode or catch fire and cause bodily injury or property damage due to the expulsion of material or metal fragments.

Please consult the detailed instructions for mounting and application stated in our brochure „Application Notes“ and on the ELECTRONICON website.

If in doubt about how to connect, operate, or discharge a capacitor, consult ELECTRONICON engineering.

Mounting And Cooling

The useful life of a capacitor may be reduced dramatically if exposed to excessive heat. Typically an increase in the ambient temperature of 7°C will halve the expected life of the capacitor. Make sure to obey the permitted operating temperatures.

To avoid overheating the capacitors must be allowed to cool unhindered and should be shielded from external heat sources. We recommend forced ventilation for all applications with detuning reactors.

Give at least 20mm clearance between the capacitors for natural or forced ventilation, and do not place them directly above or next to heat sources such as detuning or tuning reactors, bus bars, etc.

Protection against Overvoltages And Short Circuits:

Self-Healing Dielectric

All dielectric structures used in our power capacitors are „selfhealing“: In the event of a voltage breakdown the metal layers around the breakdown channel are evaporated by the temperature of the electric arc that forms between the electrodes. They are removed within a few microseconds and pushed apart by the pressure generated in the centre of the breakdown spot. An insulation area is formed which is reliably resistive and voltage proof for all operating requirements of the capacitor. The capacitor remains fully functional during and after the breakdown.

For voltages within the permitted testing and operating limits the capacitors are short-circuit- and overvoltage-proof. They are also proof against external short circuits as far as the resulting surge discharges do not exceed the specified surge current limits.

Wichtige Hinweise

Sicherheit

ELECTRONICON übernimmt keine Verantwortung oder Haftung für jegliche Schäden an Personen oder Eigentum, welche aus der unsachgemäßen Anwendung von bei ELECTRONICON oder seinen Distributoren erworbenen Kondensatoren herrührt.

Die Kondensatoren dürfen ausschließlich für ihren Bestimmungszweck verwendet werden.

Beachten Sie, daß ein elektrisch oder mechanisch fehlerhafter Einsatz von Kondensatoren gefährlich sein kann. Falsch eingesetzte Kondensatoren können explodieren oder Feuer fangen und infolge austretender Materialien bzw. Metallteile gesundheitliche und materielle Schäden verursachen.

Bitte konsultieren Sie die detaillierten Anweisungen in unserer Broschüre „Anwendungshinweise“ sowie auf der Webseite von ELECTRONICON. Bitte konsultieren Sie das Fachpersonal von ELECTRONICON oder seiner Distributoren bei allen Fragen bezüglich des Anschlusses, der Verwendung oder der Entladung von Kondensatoren.

Montage und Kühlung

Die Lebensdauer eines Kondensators kann durch übermäßige Wärme- einwirkung erheblich verringert werden. Im allgemeinen führt eine Erhöhung der Umgebungstemperatur um 7°C zu einer Verringerung der Lebensdauer des Kondensators um 50 %. Halten Sie die zugelassenen Betriebstemperaturen ein.

Um Überhitzung zu vermeiden, muß gewährleistet sein, daß die Kondensatoren auftretende Verlustwärme ungehindert abführen können und vor fremden Wärmequellen abgeschirmt werden. Insbesondere bei verdrosselten Anlagen ist in jedem Falle eine Zwangslüftung zu empfehlen. Zwischen den und um die Kondensatoren herum sollten mindestens 20mm Platz für natürliche oder Zwangslüftung belassen werden. Bringen Sie den Kondensator nie direkt neben oder über Wärmequellen, wie Drosseln u. ä. an.

Schutz gegen Überspannungen und Kurzschlüsse:

Selbstheilendes Dielektrikum

Alle in unseren Leistungskondensatoren eingesetzten dielektrischen Strukturen sind selbstheilend. Im Falle eines Kurzschlusses (Spannungsdurchschlag) verdampfen die Metallbeläge um den Durchschlagpunkt herum aufgrund der Temperatur des Lichtbogens, der sich zwischen den Elektroden bildet. Innerhalb weniger Mikrosekunden wird der Metalldampf durch den beim Durchschlag entstehenden Überdruck vom Zentrum des Durchschlages weggedrückt. Auf diese Weise bildet sich eine belagfreie Zone rings um den Durchschlagpunkt, wodurch dieser vollständig isoliert wird. Der Kondensator bleibt während und nach dem Durchschlag voll funktionsfähig.

Für Spannungen innerhalb der zugelassenen Test- und Betriebsbedingungen sind die Kondensatoren kurzschluss- und überspannungssicher. Sie sind außerdem sicher gegen äußere Kurzschlüsse, sofern bei den dabei entstehenden Stoßentladungen die zugelassenen Stoßströme nicht überschritten werden.



Failure Rate

The failure probability of a component is a statistical value which is described by a log-normal distribution:

$$N = N_0 \times e^{-\lambda t}$$

λ is the failure rate, which alternatively is also stated as the so-called FIT-rate (FIT = Failures In Time = $\lambda \times 10^9$).

The failure rate is very closely linked with operating temperature and operating voltage of the capacitor. The FIT rates stated in this catalogue are related to the capacitors' rated voltage and a dielectric temperature (= HOTSPOT temperature) of 70°C.

The simultaneous operation of capacitors at highest permissible voltage and operating temperature should be avoided; otherwise, failure rates may increase beyond reasonable technical reliability.

The standard reference period for the failure rate statement is 100.000 hours.

Please note that FIT rates can be altered or improved by technical adjustments. Please contact us for details.

The following diagram demonstrates the correlation between FIT rate, operating voltages and operating temperatures.

Ausfallrate

Die Ausfallwahrscheinlichkeit eines Bauelements ist eine statistische Größe, die mit Hilfe einer Normalverteilung beschrieben wird. Es gilt:

N = number of functional components after period t
Anzahl der nach der Zeit t intakten Bauelemente

N_0 = total number of components at time $t = 0$
Gesamtzahl der Bauelemente zum Zeitpunkt $t = 0$

λ = failure rate Ausfallrate

Dabei ist λ die Ausfallrate, die alternativ auch als FIT -Rate angegeben wird (FIT = $\lambda \times 10^9$)

Die Ausfallrate ist stark abhängig von der Temperatur und der Betriebsfeldstärke. Die FIT-Raten im Katalogsortiment beziehen sich auf 70°C Dielektrikumstemperatur (=Hotspot-Temperatur) und die Nennspannung des Kondensators.

Der Betrieb von Kondensatoren mit der höchsten zulässigen Spannung und der höchsten zulässigen Betriebstemperatur sollte vermieden werden, andernfalls können die Ausfallraten so hoch werden, dass keine technisch sinnvollen Zuverlässigkeiten mehr gewährleistet sind.

Der Wert für die Ausfallrate bezieht sich auf einen Referenzzeitraum von 100.000h.

Bitte beachten Sie, daß FIT-Raten durch technische Anpassung der Kondensatoren beeinflusst und verbessert werden können. Auskünfte hierzu erteilen wir auf Anfrage.

Das nachstehende Kurvendiagramm macht den Zusammenhang von FIT-Rate, Betriebsspannung und Betriebstemperatur deutlich.



Functioning of the BAM™ (Break Action Mechanism)

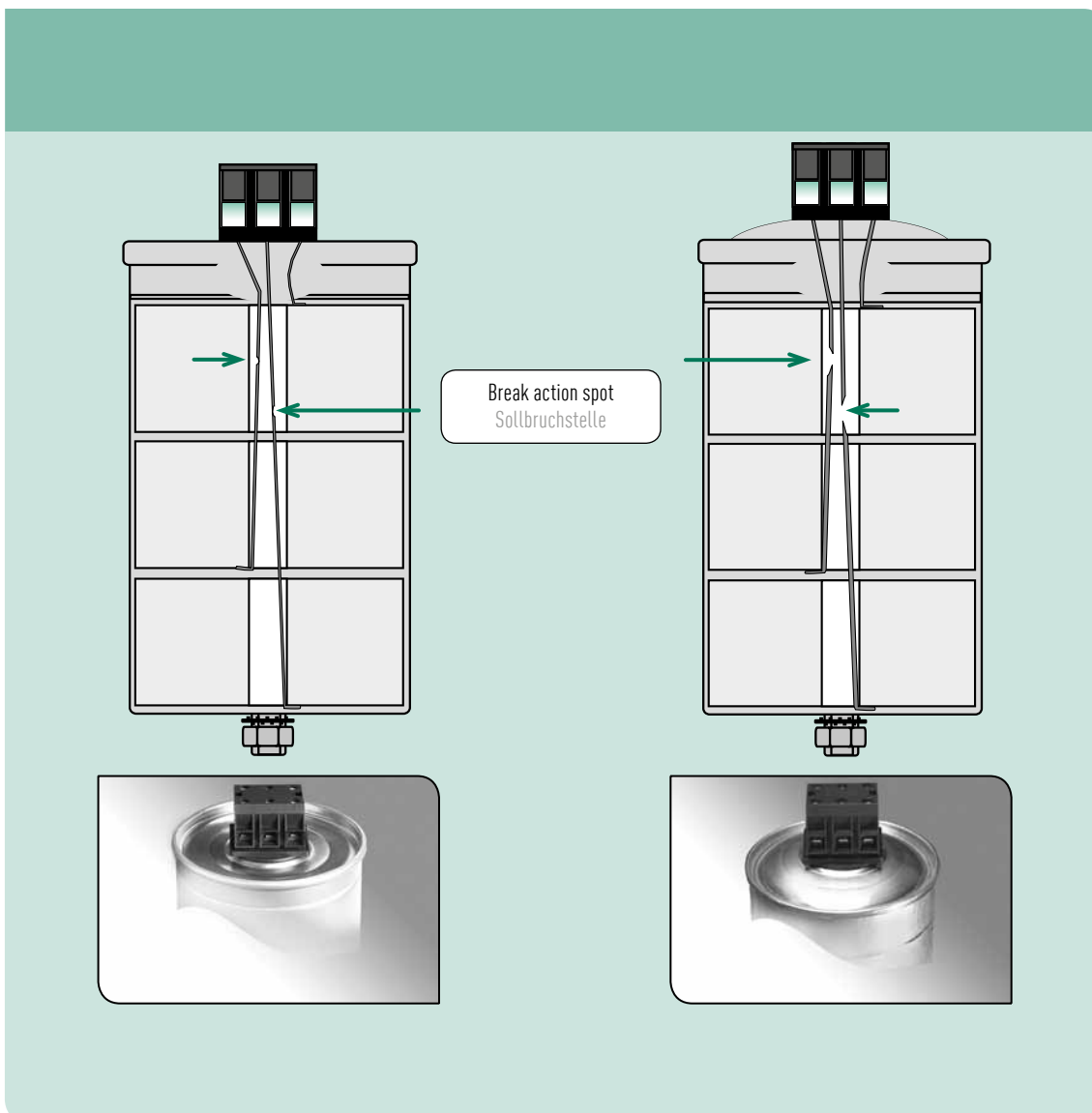
In the event of overvoltage or thermal overload or ageing at the end of the capacitor's useful service life, an increasing number of self-healing breakdowns may cause rising pressure inside the capacitor.

To prevent it from bursting, the capacitor is fitted with an obligatory „break action mechanism“ (BAM™).

The BAM™ is based on an attenuated spot at one of the connecting wires inside the capacitor. With rising pressure the case begins to expand, mainly by opening the folded crimp and pushing the lid upwards. As a result, the prepared connecting wire is separated at the attenuated spot, and the current path is interrupted irreversibly.

Funktion der Abreißsicherung (BAM™)

Bei spannungsmäßiger oder thermischer Überlastung bzw. am Ende der Lebensdauer kann durch zahlreiche Selbstheilungsdurchschläge ein Überdruck im Kondensator entstehen. Um ein Bersten der Gehäuse zu verhindern, sind die Kondensatoren generell mit einer Überdruck-Abreißsicherung (BAM™) versehen. Diese Sicherung besteht aus einer Sollbruchstelle in zwei oder allen Anschlussdrähten. Bei einem Überdruck im Kondensator verlängert sich das Gehäuse durch das Öffnen der gestauchten Sicke bzw. Wölbung des Metalldeckels und die Stromzufuhr zu den Kondensatorwickeln wird an den Sollbruchstellen irreversibel unterbrochen.



Warning:

It has to be noted that this safety system can act properly only within the permitted limits of loads and overloads. The simple presence of a safety mechanism does not mean that catastrophic failures are completely impossible. Strong overvoltages, permanent external heat, and heavy current overload, e.g. during harmonic resonances may cause sudden, uncontrollable rise of temperature and pressure inside the can which may not leave sufficient time for the BAM™ to act properly, and result in explosion and fire.

For more detailed information, please order our long-version catalogue „Capacitors for Power Electronics“, and the „General Safety Advice for Power Capacitors“ issued by the German Electrical and Electronic Manufacturer's Association (ZVEI).

3 Year Limited Warranty

All our products are designed, manufactured, and tested with the highest care and workmanship. The satisfaction of our customers is our highest goal. We therefore warrant remedying any defect in the goods resulting from faulty design, materials or workmanship, which appears within 3 years from the date of sale.

This warranty does not cover defects due to improper use of the goods or operation at conditions exceeding the rated values stated in the catalogue or special data sheet. Nor does it cover defects due to faulty maintenance or incorrect installation, alterations or faulty repairs undertaken by the Buyer. Finally the warranty does not cover normal wear and tear or deterioration.

See our „General Conditions“ for details on Warranty and Product liability.

Find more information and detailed instructions in our „Application Notes“ and on www.electronicon.com

Warning:

Es ist zu beachten, daß dieses Sicherungsprinzip nur innerhalb der zulässigen Be- und Überlastungsgrenzen zuverlässig wirken kann.

Die Existenz eines Sicherheitsmechanismus an sich bedeutet nicht, dass gewaltsame Ausfälle gänzlich ausgeschlossen werden können. Starke Überspannungen, andauernde äußere Wärmeeinwirkung sowie starke Überstrombelastung, z.B. während Oberwellenresonanzen, können plötzlichen unkontrollierten Temperatur- und Druckanstieg im Kondensatorinnern hervorrufen, welche der Überdrucksicherung nicht ausreichend Zeit zum ordnungsgemäßen Abschalten lassen und zur Explosion bzw. Entzündung führen können.

Für detailliertere Informationen konsultieren Sie bitte unsere ausführliche Broschüre „Anwendungshinweise“ sowie die „Allgemeinen Sicherheitshinweise für Leistungskondensatoren“ des ZVEI.

3 Jahre Gewährleistung

Alle unsere Erzeugnisse werden mit höchster Sorgfalt und Fachkenntnis entwickelt, hergestellt und geprüft. Die Zufriedenheit unserer Kunden ist unser höchstes Ziel. Wir verpflichten uns daher, jeden innerhalb von 3 Jahren ab Verkaufsdatum auftretenden Mangel an unseren Erzeugnissen zu beseitigen, welcher aus Fehlern in Design, Material oder Herstellung herrührt.

Diese Gewährleistung erstreckt sich nicht auf Defekte, welche auf unsachgemäße Anwendung oder Betrieb jenseits der nach Katalog oder speziellem Datenblatt zulässigen Einsatzbedingungen zurückzuführen sind. Sie erfaßt ebensowenig Schäden, welche aus fehlerhafter Wartung, unsachgemäßer Montage, Änderungen oder unsachgemäßen Reparaturen durch den Käufer bzw. Anwender resultieren. Schließlich betrifft diese Gewährleistung auch nicht normale Abnutzung und Verschleiß.

Siehe unsere „Allgemeinen Geschäftsbedingungen“ für Details zu Gewährleistung und Produkthaftung.

Mehr Informationen und ausführliche Anweisungen finden Sie in unseren „Anwendungshinweisen“ und unter www.electronicon.com



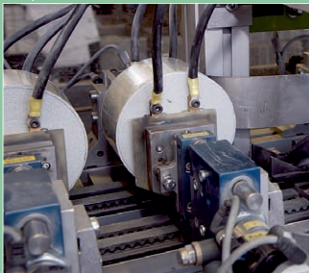
Ihr Vertriebspartner:
HY-LINE[®]
POWER COMPONENTS

Inselkammerstraße 10
D-82008 Unterhaching
Tel: +49 (0)89 614 503 10
Fax +49 (0)89 614 503 20
E-Mail: power@hy-line.de
URL: www.hy-line.de

Gründenstrasse 82
CH-8247 Flurlingen
Tel: +41 (0)52 647 42 00
Fax +41 (0)52 647 42 01
E-Mail: power@hy-line.ch
URL: www.hy-line.ch

EXCELLENT EXPERIENCE IN CAPACITOR MAKING FOR OVER 70 YEARS

Gera has been a centre of capacitor making since 1938. ELECTRONICON Kondensatoren GmbH which emerged from previous RFT/VEB ELEKTRONIK Gera in 1992, has become one of Europe's leading capacitor manufacturers supplying customers worldwide and being an open and competent partner for manufacturers and users of power factor correction equipment, for many manufacturers of drives, power electronics, home appliances, and for the lighting industry. Regular investments in advanced and environmentally sound technologies guarantee the highest levels in manufacture and quality to modern standards which are approved and monitored by leading certification authorities.



In today's globalised competition, we distinguish ourselves by

- Absolute reliability and safety of our products
- Close co-operation between manufacturer and client to meet both technical and commercial requirements
- Improvement and development of our technical expertise in capacitor design and manufacture, as well as film coating, with special attention paid to the MKPg-technology
- Early identification and incorporation of new trends and methods in the manufacturing of capacitors
- Flexibility and punctual fulfilment of our commercial obligations

Our experienced development engineers are competent and responsible for both implementing the latest technical trends applicable to our products and ensuring that our products adapt to the challenges of traditional and new markets.

The close and intense co-operation between the departments of Marketing & Sales, Research & Development, and Production has become the keystone of our success. ELECTRONICON is continually striving to establish a similarly close and interactive relationship with its distributors and direct clients both in home and overseas markets, to become not just one out of many suppliers, but your preferred partner for ideas and solutions.

ELECTRONICON®

Germany • 07549 Gera • Keplerstrasse 2
Fon +49 365 / 734 61 00 • Fax +49 365 / 734 61 10
E-Mail: sales@electronicon.com, www.electronicon.com

