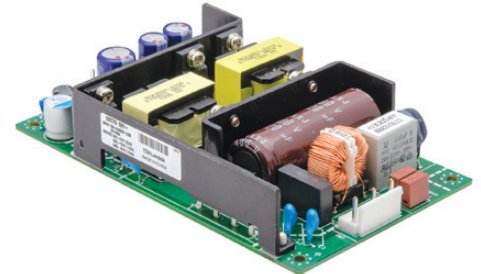




Dual or Triple Output 75W Low Profile Power Supplies

Features	Benefits
• Triple (useable as dual) output supply	• Adresses multiple voltage needs in one hit
• Compact format (3 x 5" footprint only)	• Saves space & cost
• Low Profile (1.06" only)	• Allows flat constructions, slim solutions
• High Efficiency 85%	• Facilitates de-heating / cooling
• Individual output regulation	• Supports e.g. test, measurement & sensing solutions
• Good cost-value relation	• Helps improve appliance competitiveness
• Several mechanical & connector options	• Offers more implementation choices



Specification		
Model	CUT75-522	CUT75-5FF
AC Input Voltage (1)	VAC	85 - 265VAC
Input Frequency	Hz	47 - 63Hz
DC Input Voltage	VDC	120 - 370VDC (No safety certification)
Inrush Current (cold start)	A	18A at 100VAC, 36A at 200VAC
Power Factor	-	Meets EN61000-3-2
Input Current (100 / 200VAC)	A	2 / 1
Temp. Coefficient (-20 to +70°C)	-	V1: <0.02%/°C, V2 & 3 <0.03%/°C
Overcurrent Protection	-	> 105%
Overvoltage Protection (2)	V	V1: 5.7-7.0, V2: 13.8 - 16.8 V1: 5.7-7.0, V2: 17.2 - 21.0
Hold Up Time (200VAC input)	ms	20ms
Leakage Current (265VAC 50Hz)	mA	<0.3mA
Operating Temperature (3)	-	-20 to +70°C. Derate linearly to 60% load from +50 to +70°C
Storage Temperature	-	-30 to +85°C
Op. Humidity (non condensing)	-	5 - 95% RH
Cooling	-	Convection
Withstand Voltage	-	Input to Ground 2kVAC, Input to Output 3kVAC, Output to Ground 500VAC, V1 to V2 / V3 500VAC for 1 min.
Isolation Resistance	-	>100M at 25°C & 70%RH, Output to Ground 500VDC
Vibration (non operating)	-	10 - 55Hz: 19.6m/s ² constant sweep 1 min X, Y, Z for 1 hour
Shock	-	< 196.1 m/s ² (20G)
Immunity	-	IEC61000-4-2 (lv 3, 4), -3 (lv3), -4 (lv 4), -5 (lv3, 4), -6 (lv 3), -8 (lv 4), -11,
Safety Agency Certifications	-	IEC/EN/UL/CSA62368-1 (cTUVus), IEC/EN/UL/CSA60950-1 (cTUVus), CE Mark ANSI/AAMI ES60601-1, CSA 60601-1, IEC/EN60601-1 3rd Edition (2 x MOOP)
Conducted & Radiated EMI	-	EN55011/EN55022-B, FCC--B
Weight (Typ)	g	210 (open frame version)
Size (WxLxH)	mm	76 x 127 x 27
Warranty	yrs	3

Notes: (1) Derate linearly to 60% load from 100VAC to 85VAC input (2) Cycle AC to reset (3) See derating curves in instruction manual for all mounting orientations


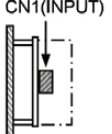
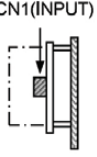
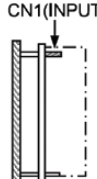
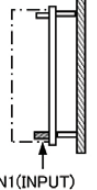
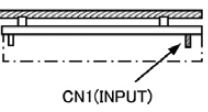
Model Selector								
Model		Voltage (V)	Adjust Range (V)	Maximum Current (A)	Maximum Power (W)	Load Reg. (mV)	Line Reg. (mV)	Ripple Noise (mV)
CUT75-522	V1	5V	5.0 - 5.25	8	40	100	50	120
	V2	+12V	FIXED	3	36	600	240	150
	V3	-12V	FIXED	1	-	600	240	150
CUT75-522	V1	5V	5.0 - 5.25	8	40	100	50	120
	V2	24V	FIXED	1	24	750	300	150
	(Leave common terminal unconnected)							
CUT75-5FF	V1	5V	5.0 - 5.25	8	40	100	50	120
	V2	+15V	FIXED	2.5	37.5	750	300	150
	V3	-15V	FIXED	1	-	750	300	150
CUT75-5FF	V1	5V	5.0 - 5.25	8	40	100	50	120
	V2	30V	FIXED	1	30	750	300	150
	(Leave common terminal unconnected)							

Note: CUT75 can be configured as a dual or triple output.

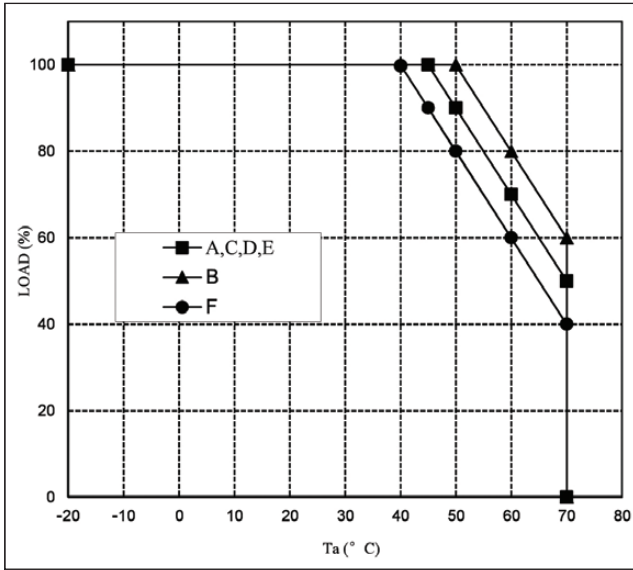
Options	
Suffix	Description
Blank	Open frame with PIN (JST) connectors
/A	Cover with PIN (JST) connectors
/B	Baseplate with PIN (JST) connectors
/T	Open frame with Terminal Block (screw connections)
/TA	Cover model with Terminal Block (screw connections)
/TB	Baseplate model Terminal Block (screw connections)

Preferred Models

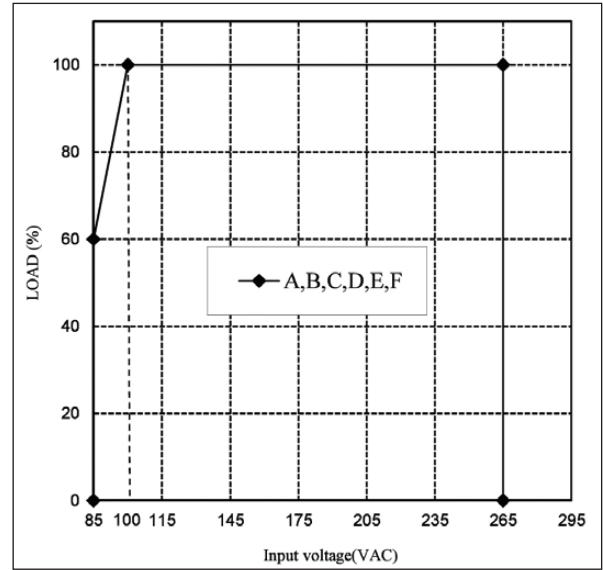
Mounting Instructions CUT75 Series

(MOUNTING A)	(MOUNTING B) (STANDARD MOUNTING)	(MOUNTING C)	(MOUNTING D)	(MOUNTING E)	(MOUNTING F)
					

CUT75 Output derating vs Ambient Temperature



CUT75 Output derating vs Input Voltage



Outline Drawing CUT75 Series

LEAD CUT LESS THAN 3mm

SEE NOTE D

NAME PLATE

4-SEE NOTE A

(4.5) VOLTAGE ADJUSTMENT

VR51

V1 1 2 3 4 5 6 7 8

G1 1 2 3 4 5 6 7 8

V2 1 2 3 4 5 6 7 8

G3 1 2 3 4 5 6 7 8

V3 1 2 3 4 5 6 7 8

CN51

INPUT

COMPONENT SIDE

SEE NOTE E

76±1

66±0.5

(41)

5

5

117±0.5

127±1

CONNECTORS USED:

PART DESCRIPTION	PART NAME	MANUFACT.	QTY
PIN HEADER (INPUT SIDE CN1)	B3P5-VH	JST	1
PIN HEADER(OUTPUT SIDE CN51)	B8P-VH	JST	1

*OUTPUT CURRENT OF EACH CONNECTOR PIN MUST BE LESS THAN 5A.

MATCHING HOUSINGS AND PINS(NOT INCLUDED WITH THE PRODUCT):

SOCKET HOUSING (CN1)	VHR-5N	JST	1
SOCKET HOUSING (CN51)	VHR-8N	JST	1
TERMINAL PINS	SVH-21T-P1.1	JSI	11

HAND CRIMPING TOOL : YC-160R CN1,CN51 MANUFACTURER : JST

NAME PLATE (SCALE 3:2)

SEE NOTE B

SEE NOTE C

NOTES

A: THE 4- ϕ 3.5 HOLE ARE CUSTOMER CHASSIS MOUNTING HOLES. ALL MUST BE SCREWED IN ORDER TO CONFORM THE VIBRATION SPEC.

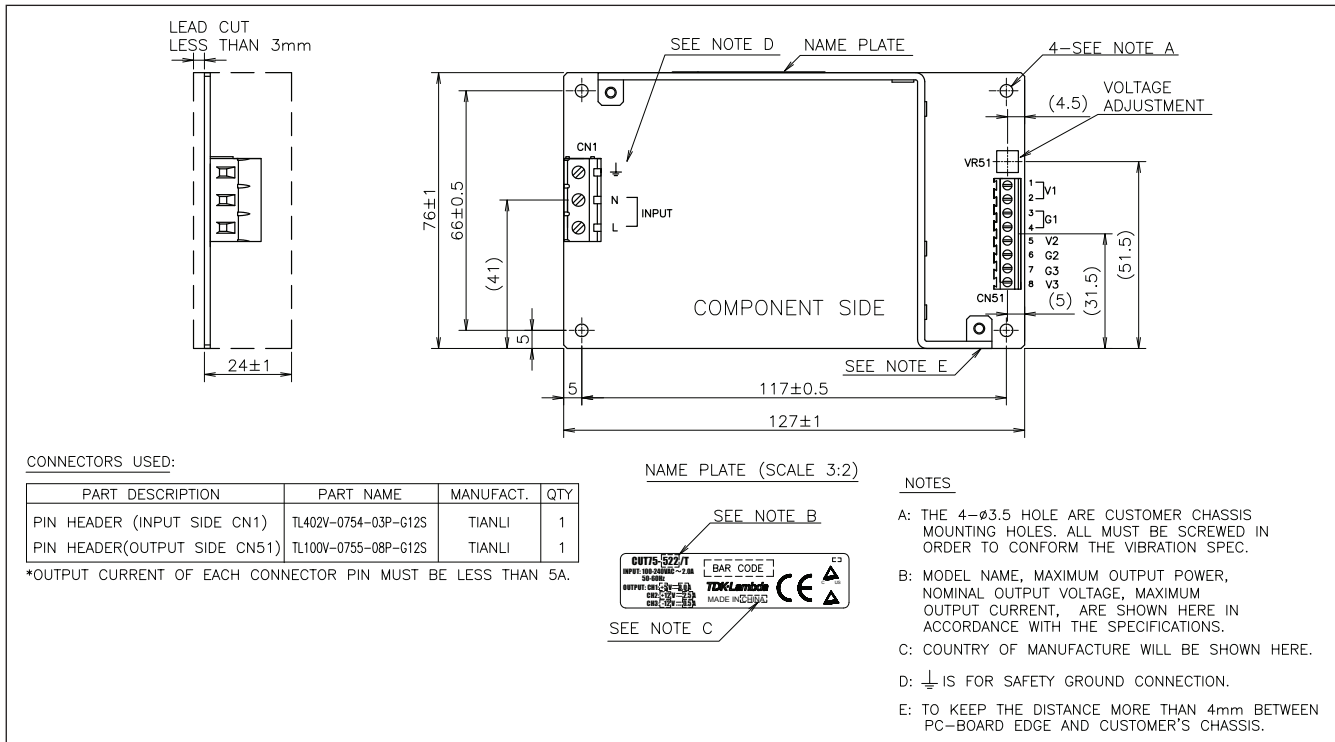
B: MODEL NAME, MAXIMUM OUTPUT POWER, NOMINAL OUTPUT VOLTAGE, MAXIMUM OUTPUT CURRENT, ARE SHOWN HERE IN ACCORDANCE WITH THE SPECIFICATIONS.

C: COUNTRY OF MANUFACTURE WILL BE SHOWN HERE.

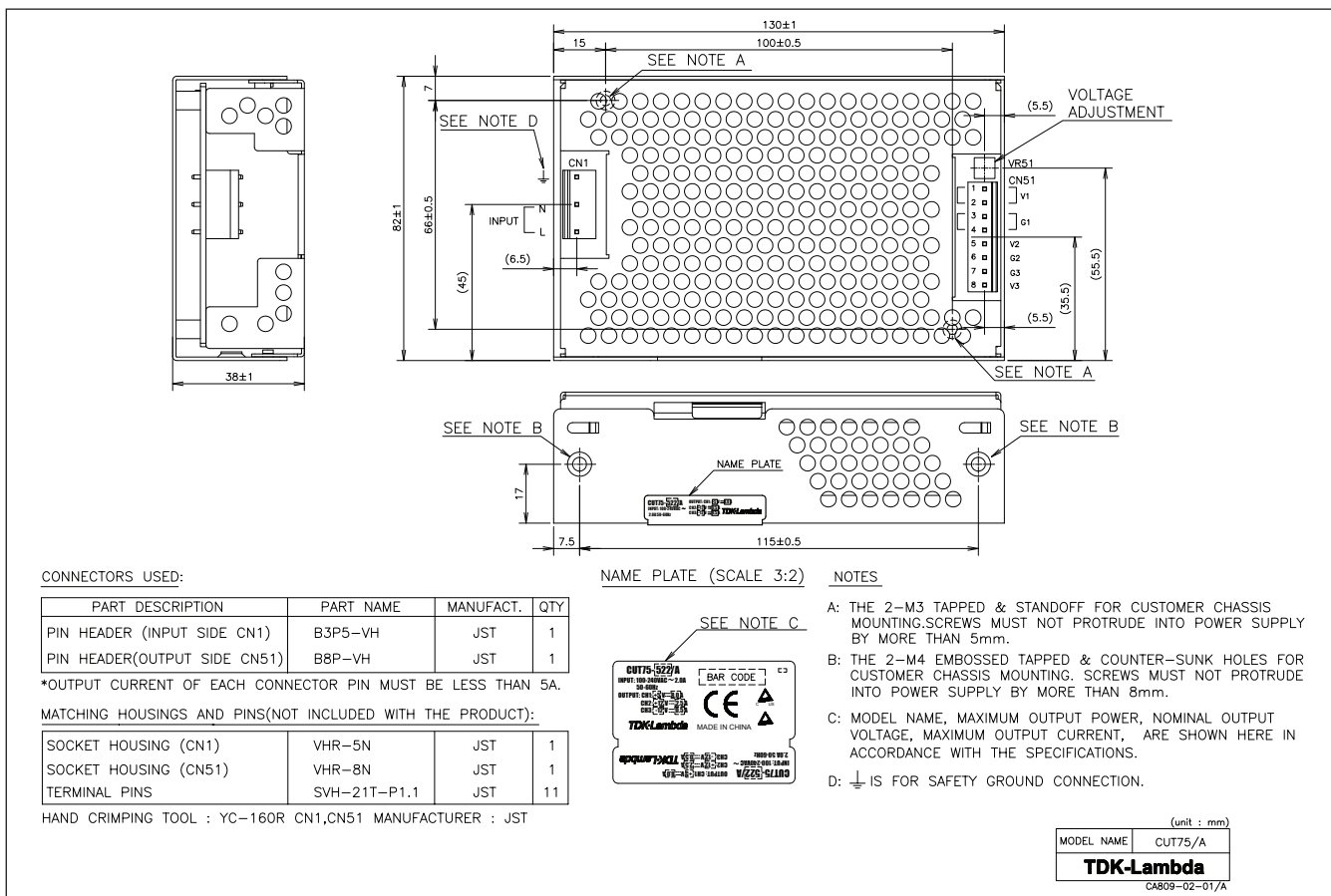
D: \perp IS FOR SAFETY GROUND CONNECTION.

E: TO KEEP THE DISTANCE MORE THAN 4mm BETWEEN PC-BOARD EDGE AND CUSTOMER'S CHASSIS.

Outline Drawing CUT75/T Series



Outline Drawing CUT75/A Series





TDK-Lambda France SAS

3 Avenue du Canada
Parc Technopolis
Bâtiment Sigma
91940 les Ulis
France
Tel: +33 1 60 12 71 65
Fax: +33 1 60 12 71 66
france@fr.tdk-lambda.com
www.emea.lambda.tdk.com/fr



Italy Sales Office

Via Giacomo Matteotti 62
20092 Cinisello Balsamo (MI)
Italy
Tel: +39 02 61 29 38 63
Fax: +39 02 61 29 09 00
info.italia@it.tdk-lambda.com
www.emea.lambda.tdk.com/it



Netherlands

info@nl.tdk-lambda.com
www.emea.lambda.tdk.com/nl



TDK-Lambda Germany GmbH

Karl-Bold-Strasse 40
77855 Achern
Germany
Tel: +49 7841 666 0
Fax: +49 7841 5000
info.germany@de.tdk-lambda.com
www.emea.lambda.tdk.com/de



Austria Sales Office

Aredstrasse 22
2544 Leobersdorf
Austria
Tel: +43 2256 655 84
Fax: +43 2256 645 12
info@at.tdk-lambda.com
www.emea.lambda.tdk.com/at



Switzerland Sales Office

Eichtalstrasse 55
8634 Hombrechtikon
Switzerland
Tel: +41 44 850 53 53
Fax: +41 44 850 53 50
info@ch.tdk-lambda.com
www.emea.lambda.tdk.com/ch



Nordic Sales Office

Haderslevvej 36B
DK-6000 Kolding
Denmark
Tel: +45 8853 8086
info@dk.tdk-lambda.com
www.emea.lambda.tdk.com/dk



TDK-Lambda UK Ltd.

Kingsley Avenue
Ilfracombe
Devon EX34 8ES
United Kingdom
Tel: +44 (0) 12 71 85 66 66
Fax: +44 (0) 12 71 86 48 94
info@uk.tdk-lambda.com
www.emea.lambda.tdk.com/uk



TDK-Lambda Ltd.

1 Alexander Yanai
Segula
Petah-Tikva
Israel
Tel: +9 723 902 4333
Fax: +9 723 902 4777
info@tdk-lambda.co.il
www.emea.lambda.tdk.com/il



C.I.S.

Commercial Support:

Tel: +7 (495) 665 2627

Technical Support:

Tel: +7 (812) 658 0463

info@tdk-lambda.ru

www.emea.lambda.tdk.com/ru

Local Distribution

Ihr Vertriebspartner:



HY-LINE Power Components
Vertriebs GmbH
Inselkammerstr. 10
D-82008 Unterhaching
☎ +49 89/ 614 503 -10
power@hy-line.de

HY-LINE AG
Hochstrasse 355
CH-8200 Schaffhausen
☎ +41 52 647 42 00
info@hy-line.ch