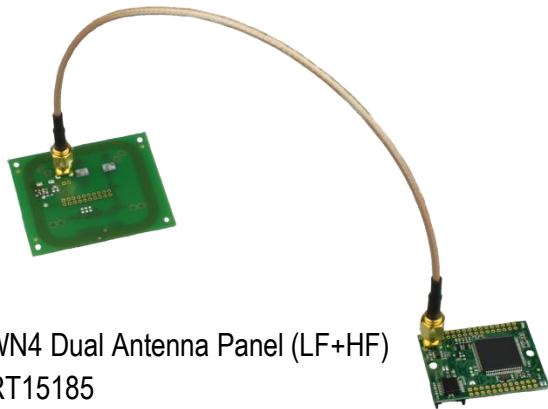


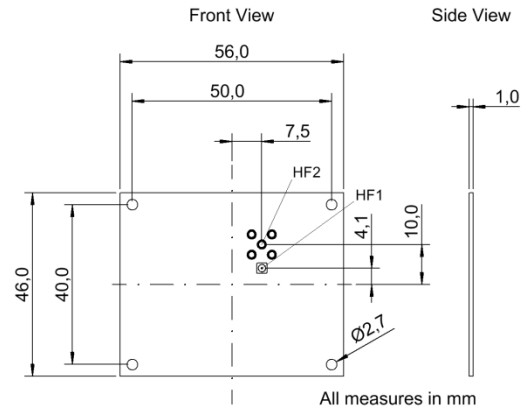
# Antenna Set for TWN4 Core Module

## 13.56MHz



TWN4 Dual Antenna Panel (LF+HF)  
ART15185

TWN4 Core Module  
(not part of this set)



Antenna dimensions

This 50 Ohm Antenna can be connected via SMA, SMB, SMC, MCX or UMCC/U.FL

Description	Manufacturer	Part No	Distributor	Order No
SMA Plug, 50-Ohm	TE Connectivity	5-1814832-1	Digikey	A97594-ND
SMA Cable, 50-Ohm 30 cm / 12 inch	Amphenol Connex	135101-01-12.00	Digikey	ACX1568-ND
SMA Cable, 50-Ohm 90 cm / 36 inch	Amphenol Connex	135101-01-36.00	Digikey	ACX1570-ND

Order Code:

ART14638 TWN4 Panel Antenna Set (HF), 13.56MHz, consist of TWN4 Dual Antenna Panel (ART15185), 2 pieces of unsoldered SMA plugs and one SMA cable (30cm)

ART14639 TWN4 Panel Antenna Set (HF), 13.56MHz, consist of TWN4 Dual Antenna Panel (ART15185), 2 pieces of unsoldered SMA plugs and one SMA cable (90cm)

Elatec reserves the right to change any information or data in this document without prior notice. The distribution and the update of this document is not controlled. Elatec declines all responsibility for the use of product with any other specifications but the ones mentioned above. Any additional requirement for a specific customer application has to be validated by the customer himself at his own responsibility. Where application information is given, it is only advisory and does not form part of the specification

© 2013 Elatec GmbH – DocRev3 – 08/2013