



## **HDMI 2.0 optical fiber detachable extender, HDFX-350**

### **Description**

HDMI 2.0 optical fiber detachable extender, HDFX-350, extends HDMI 2.0 signal up to 200m (656feet) and transmits 4K UHD (4096x2160) at 60Hz over two LC multi-mode fibers. Leading-edge technology of Opticis allows long distance transmission of 4K signal without any video/audio degradation.

HDFX-350 is designed compact enough to be fitted into various installation environments. It gives slim, light, easy installation with perfect electrical isolation, but without any electrical hazard and interference.

High-Retention HDMI connector allows more retention force than standard HDMI connector in order to prevent any accidental disconnection.

HDFX-350 is compliant with HDMI standard features like CEC, EDID and HDCP 2.2 for better installation flexibility and compatibility.

HDFX-350 can be operated by either USB power or DDC 5V power from HDMI source (Tx only). Auto Power-Switching feature makes it more reliable on its power supply.

### **Specification**

- Supports HDMI2.0 standards feature
- Extends up to 4K (4096x2160) at 60Hz, (RGB & YCbCr : 4:4:4)
- Transmits HDMI 2.0 data up to 200m (656feet) over one duplex LC multi-mode fiber (OM3)
- Prevents accidental disconnection by using High-Retention HDMI connector
- Operates by either USB Power(Both Tx and Rx) or DDC 5V from HDMI source (Tx only)
- Provides Auto Power-Switching feature
- Provides diagnosis feature
- Supports 3D contents transmission
- Complies with CEC, EDID and HDCP 2.2

### **Applications**

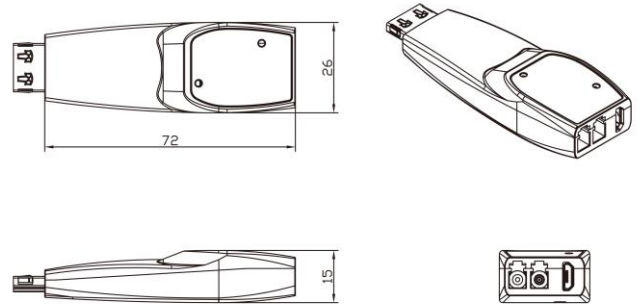
- Medical imaging
- Military
- Digital Signage
- Control room
- Simulator
- Rental staging

# HDMI 2.0 optical fiber detachable extender, HDFX-350

## Technical Features

|                       |  |
|-----------------------|--|
| Resolution            | Up to 4K(4096x2160) at 60Hz,   |
| Bit rate              | Up to 6.0 Gbps/ch  |
| Maximum distance      | Up to 200m (656feet)   |
| Fiber                 | 2 LC multi-mode fiber (OM3)  |
| Power supplying       | External USB power by micro USB to USB cable or DDC 5V from HDMI source(Tx Only) |
| LED Indicators        | TX: power, signal transmission<br>RX: power, signal detection                    |
| Power consumption     | < 2.5W   |
| Operating temperature | 0°C to 50°C  |
| Operating humidity    | 10~85% RH, non-condensing  |
| Size (LWH)            | 26 x 72 x 15 mm  |

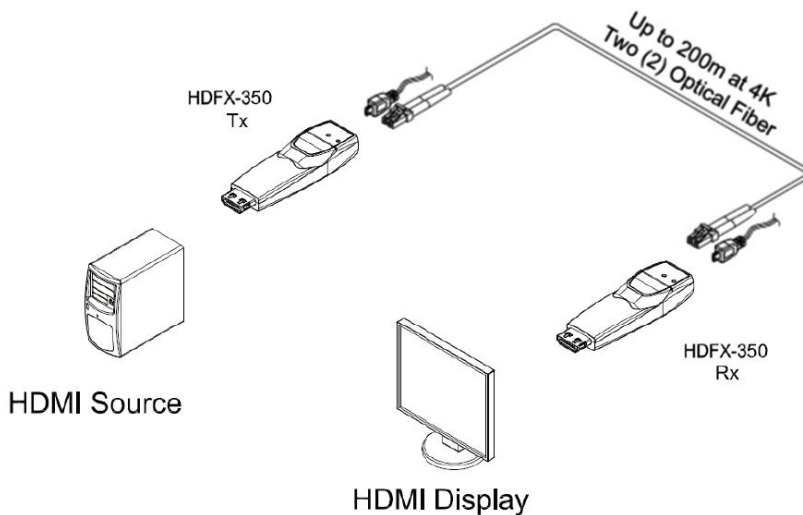
## Dimension [mm]



Size: 72 x 26 x 15mm (LWD)

## Connection Diagram

4K UHD(4096x2160) @60Hz up to 200m



**HY-LINE Computer Components Vertriebs GmbH**  
 Inselkammerstr. 10 | 82008 Unterhaching  
 ☎ +49 89 / 614 503 40  
 📠 +49 89 / 614 503 50  
 computer@hy-line.de

[hy-line-group.com](http://hy-line-group.com)  
 LEADER IN TECHNOLOGY.



**Opticis Co., Ltd.**  
 3F, 305, Sanseong-daero,  
 Sujeong-gu, Seongnam-si, Gyeonggi-do,  
 Republic of Korea 13354  
 Tel: +82 (31) 719-8033 Fax: +82 (31) 719-8032  
 tosales@opticis.com



*All contents are subject to be changed without prior notice.*