

# COH-TR6

## HDMI/DP over IP Transceiver (Fiber Version)



This Transceiver is designed for high-quality, IP routable, AV extension with zero latency. Each single Transceiver can be configured as either a Transmitter or a Receiver depends on the requirement of installation facility. The 4K@60 high quality video with HDR 10 bits and multi-channel HD Bitstream audio are able to transmit in pass through mode over SFP+ fiber module up to 30km extension.

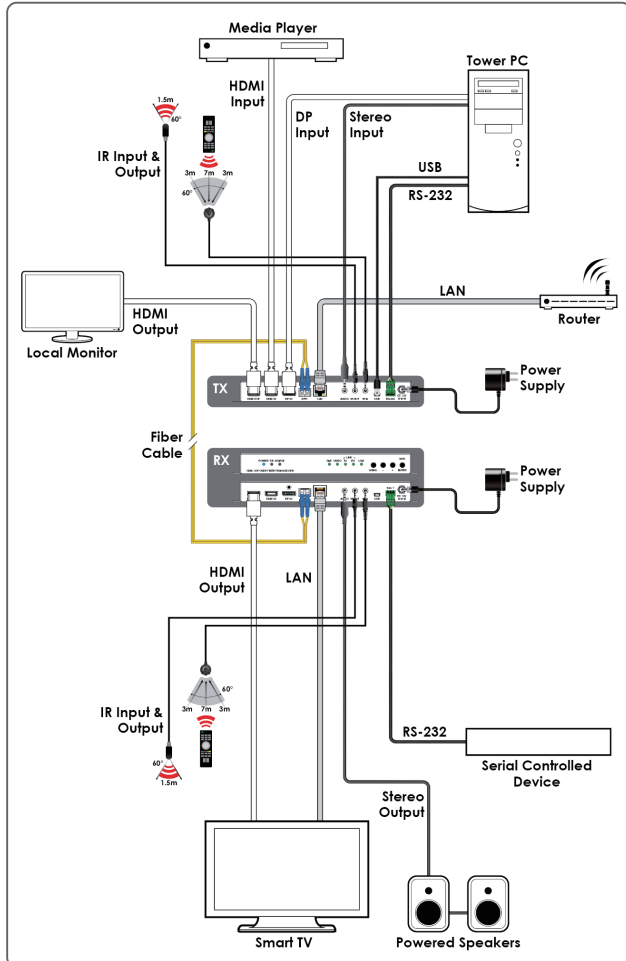
### PANELS



### FEATURES

- Visually lossless compression with zero latency
- Video wall and multi viewer supported (requires optional control center/software)
- USB KVM extension supported
- Pass-through of 10/12-bit HDR sources (Genlock modes only)
- Pass-through of audio formats including LPCM (up to 8 channels), Bitstream and HD Bitstream from HDMI sources
- Analog stereo audio extension, insertion and extraction (optional control center/software)
- Expanded functionality (Contact your authorized dealer for more information)

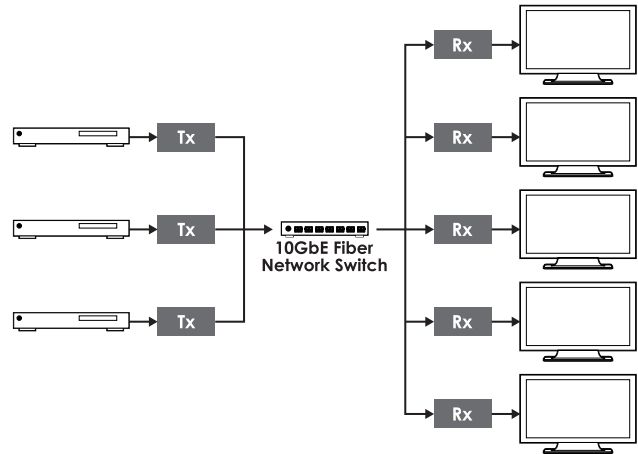
### DIAGRAM



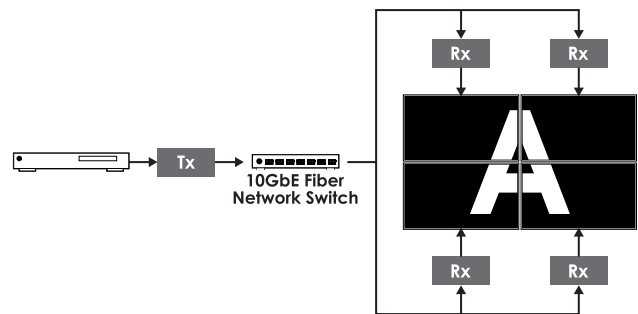
### POINT-TO-POINT CONFIGURATION



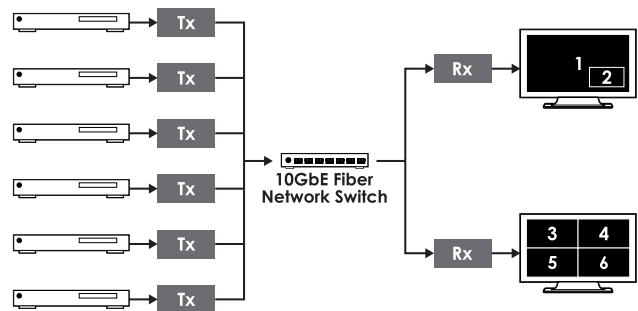
### MATRIX CONFIGURATION



### VIDEO WALL CONFIGURATION



### MULTIVIEW CONFIGURATION



### SPECIFICATIONS

#### Interfaces

<b>Input Port</b>	1 HDMI (Type-A) 1 DisplayPort
<b>Output Port</b>	1 HDMI (Type-A)
<b>Bi-directional Port</b>	1 10GbE LAN (SFP+)
<b>Control I/O</b>	1 IR Extender (3.5mm) 1 IR Blaster (3.5mm) 1 RS-232 (3-pin Terminal Block) 1 Ethernet (RJ-45)
<b>Audio</b>	1 Unbalanced Stereo (3.5mm) Transmitter: Audio In or Out (depends configuration) Receiver: Audio Out
<b>Service Port</b>	1 USB (Mini-B)

#### Video

<b>HDMI Compliance</b>	2.0 (DP 1.4)
<b>HDCP Compliance</b>	2.X
<b>Input Signal Types</b>	4096x2160p@60, 8bit YUV 4:4:4, HDR10
<b>Output Signal Types</b>	4096x2160p@60, 8bit YUV 4:4:4, HDR10
<b>Resolutions</b>	
<b>Maximum Input</b>	HDMI 4096x2160p@60 2560x1600p@60RB
	DisplayPort 4096x2160p@60 2560x1600p@60RB
<b>Maximum Output</b>	HDMI 4096x2160p@60 2560x1600p@60RB
	Ethernet 4096x2160p@60 2560x1600p@60RB

#### Audio

<b>Digital Formats</b>	HDMI	8CH LPCM, Bitstream, HD Bitstream
	DisplayPort	8CH LPCM, Bitstream, HD Bitstream
<b>Analog Formats</b>	Unbalanced	2 Channel
<b>Line Level</b>	Frequency Response: < ±0.5dB (20Hz to 20kHz) THD: < 0.02% (20Hz to 20kHz) S/N Ratio: > 80dB (1kHz with 0dBFS) Crosstalk: < -80dB (10kHz, Vin=0dBFS)	

#### Power

<b>Power Supply</b>	12V/3A (Locking)
<b>Power Consumption</b>	25W (Full load)

#### Enclosure

<b>Chassis Material</b>	Metal
<b>Chassis Color</b>	Black
<b>Dimensions (W×H×D)</b>	231.5mm×25mm×158mm [Case Only] 231.5mm×25mm×166.7mm [All Inclusive]
<b>Weight</b>	916g

### ORDERING INFORMATION

Model No.	Product Description
<b>COH-TR6</b>	HDMI/DP over IP Transceiver (Fiber Version)
<b>CDPS-CS7-S</b>	AV over IP Master Controller