

CH-2606TX

UHD+ HDMI to HDBaseT Transmitter with USB

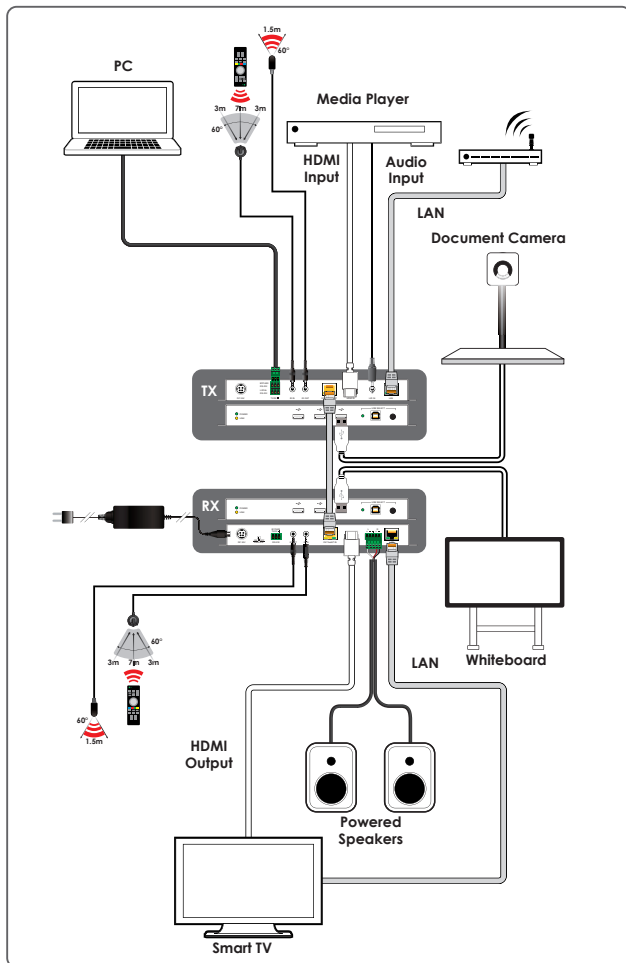


CH-2606TX adopts HDBaseT 2.0 technology for extending uncompressed 4K and HD video, audio, Ethernet, control and power along a single Cat. 5e/6/7 cable up to 100 meters. When paired with this unit's standard Receiver, 2 switchable USB 2.0 host (Type B) connections are available (1 on the Transmitter, 1 on the Receiver) which can connect to devices on up to 6 USB 2.0 (Type A) ports (3 on the Transmitter, 3 on the Receiver) forming a highly flexible KVM extension configuration (Note: Only 1 USB host may be active at a time). This Transmitter (PD) may be powered locally using a standard power supply, or it can be powered by PoH (Power over HDBaseT) provided by a compatible Receiver (PSE). This unit is controllable via front panel button and RS-232.

PANELS



DIAGRAM



FEATURES

- 3 USB 2.0 Type A ports and 1 USB 2.0 Type B port
- HDBaseT output transmits video, audio, and data over a single Cat.5e/6/7 cable and can reach distances up to 100m/230ft at 4K when using Cat.6a/7
- HDBaseT feature support: HD Video and Audio, 100BaseT Ethernet, PoH (PD), and control (bi-directional IR/RS-232/USB 2.0)
- Supports CEC bypass
- Flexible USB host selection using the front panel button
Note: Multiple USB hosts may be connected at once (up to 2 total, between the Tx and a compatible Rx unit) with a single selected host active at a time
- Supports PoH from Receiver (PSE) to Transmitter (PD) (compatible Transmitters only)

SPECIFICATIONS

Interfaces

Input Port	1 HDMI (Type-A) 1 Unbalanced Stereo (3.5mm)
Output Port	1 HDBT(RJ45)
Control I/O	3 USB 1 USB 1 IR Extender 1 IR Blaster 2 RS232 (3-pin Terminal Block) 1 LAN (RJ-45)

Video

HDMI Compliance	HDMI 2.0 (DVI 1.0)
HDCP Compliance	2.x
Input Signal Type	4K@60 YUV 4:4:4
Output Signal Type	4K@60 YUV 4:2:0

Resolutions

Maximum Input	HDMI 4096x2160p@60
Maximum Output	HDBT 4096x2160p@30

Audio

Input Signal Types	HDMI, Stereo
HDMI IN	LPCM (8 Channels), Bitstream, High Bit Rate Bitstream bypass

Power

Power Supply	24V/2.7A
Power Consumption	40.44W (Full load)

Enclosure

Chassis Material	Metal (Steel)
Chassis Color	Black
Dimensions (W×H×D)	231.5mm×25mm×108mm [Case Only] 231.5mm×25mm×110mm [All Inclusive]
Weight	647g

Field Firmware Update

USB Flash Drive, WebGUI

ORDERING INFORMATION

Model No.	Product Description
CH-2606TX	UHD+ HDMI to HDBaseT Transmitter with USB
CH-2606RX	UHD+ HDBaseT to HDMI Receiver with USB
CH-2603RX	UHD+ HDMI/HDBaseT/USB to HDMI Receiver