

HDCX-100: 4K HDMI2.0+USB2.0+RS232 Extender (4K@60Hz)



Descriptions

The new HDMI 2.0 HD-BaseT extender, HDCX-100 has one CAT5e or CAT6 cable connection and is designed compact enough to be fitted in to various installation environment.

The HDCX-100 with the same mechanical dimension for each of transmitter and Receiver enables to transmit the HDMI2.0 up to uncompressed 4K 60Hz (YCbCr 4:2:0), supporting all HDMI2.0 features (CEC, EDID and HDCP) including USB 2.0 and RS-232 control.

Between its transmitter and receiver, CAT5e/CAT6 connection by RJ45 Connector gives clean, secure and easy installation. The maximum extension is 100m (330feets).

Key Features

- Supports **4K 60Hz** and HDMI2.0 standards
 - WQUXGA (3840x2160) at 60Hz (4:2:0)**
 - WQUXGA (3840x2160) at 30Hz (4:4:4)**
 - 12-bit Deep Color
 - Maximum pixel clock : 300Mhz
- Transmits HDMI2.0 data up to **100m (330feet)** over one (1) CAT5e or CAT6 cable
- HDCP1.4 / 2.2 Standard
- CEC & 3DTV pass-through
- **USB2.0** for HID, Touch panel, Mass Storage and VCP
- **RS-232** control extension
- **Compact design** and bracket allows easy installation even small space
- Plug & Play
- Certifies FCC and CE standards

Applications

- Digital Signage
- Home Theater
- Control Rooms
- Any KVM applications
- Any 4K Ultra High-definition display solutions

Vertrieb durch
Distribution by

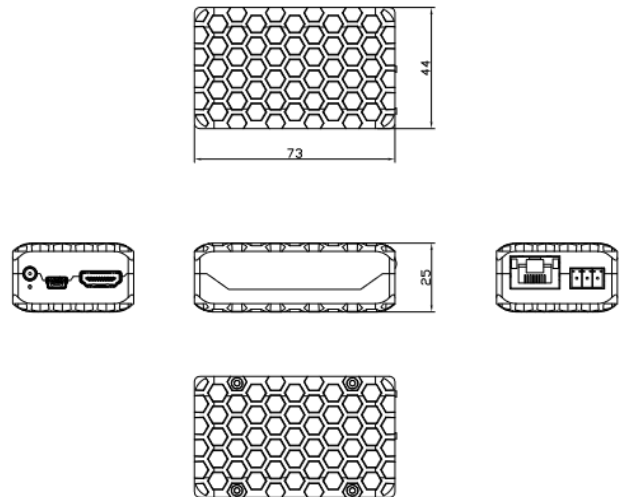
HY-LINE[®]
COMPUTER COMPONENTS
Inselkammerstr. 10
D-82008 Unterhaching
Tel.: +49 89 614 503 40
www.hy-line.de

HDCX-100: 4K HDMI2.0+USB2.0+RS232 Extender (4K@60Hz)

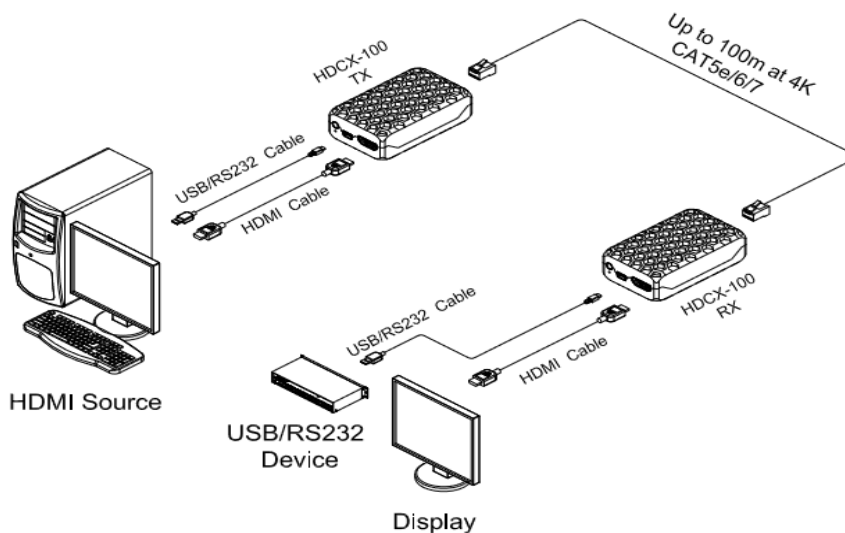
Technical Features

Resolution	Up to WQUXGA (3840x2160) at 60Hz (YCbCr 4:2:0)
Side Signal	USB2.0 / RS-232
Maximum distance	100m (328feet)
Cable	CAT5e/CAT6
HDCP	Support 1.4 / 2.2 Standard
Power supplying	TX / RX: External 5V/2 DC power
LED Indicators	Power(Blue), Link(Green), HDCP(Yellow)
Operating temperature	0 ~ 50℃
SIZE	44 * 73 * 25mm(WDH)

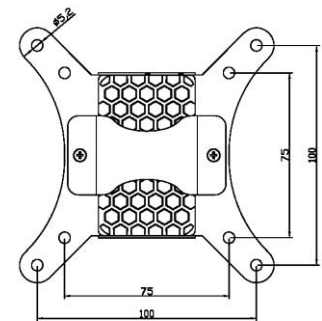
Drawing of Module



Connection Diagram



Bracket installed Diagram



OPTICIS HQ

Opticis Co., Ltd.
 # 16Fl, Kins Tower Jeongja 331,
 8 Sungnam-daero, Bundang-gu
 Sungnam-si, Gyunggi-do, 463-782
 South Korea
 Te I: +82 (31) 719-8033
 Fax: +82 (31) 719-8032
www.opticis.com
 tosales@opticis.com