

- Standard Eighth Brick Footprint
- 24 or 48VDC Input
- 5V 15A - 28V 2.67A Nominal Output
- Through Hole Mounting
- Low 8.8mm Profile
- 1500VDC Basic Isolation

iEA Series

67-78W

Eighth Brick DC-DC Converters

Ihr Vertriebspartner:

HY-LINE[®]
POWER COMPONENTS

Inselkammerstraße 10
D-82008 Unterhaching
Tel: +49 (0)89 614 503 10
Fax +49 (0)89 614 503 20
E-Mail: power@hy-line.de
URL: www.hy-line.de

iEA Features and Benefits

Features

- High operating efficiency (up to 91%)
- Constant switching frequency
- Open frame design

Benefits

- Reduced system heating
- Easier system filtering
- Better thermal performance

Specifications

MODEL		iEA Series				
ITEMS		5	12	15	18	28
Nominal Output Voltage	VDC	5	12	15	18	28
Input Voltage Range	VDC	18 - 60 or 36 - 75 (see model selector)				
Input Current (max)	A	4.5				
Output Voltage Tolerance	VDC	4.85 - 5.15	11.58 - 12.42	14.47 - 15.52	17.28 - 18.72	26.88 - 29.12
Ripple & Noise (max) (pk-pk) (1)	mV	125	200	150	200	250
Line Regulation (max)	mV	10	24	35	45	70
Load Regulation (max)	mV	10	24	35	45	70
Overload Protection (typ)	A	20	8.5	6	4.4	4
Overvoltage Protection	VDC	5.7 - 6.7	13.6 - 15.7	16.8 - 22.0	20.0 - 26.0	32.0 - 38.0
Remote Sense	-	Yes				
Remote On / Off	-	Positive or Negative Logic, see Model Selector				
Temperature (operating)	°C	-40°C to +125°C				
Temperature (storage)	°C	-55°C to +125°C				
Humidity (operating)	-	20 - 95% RH Non condensing				
Humidity (storage)	-	10 - 95% RH Non condensing				
Cooling	-	Convection or forced air				
Isolation Voltage	VDC	1500				
Vibration (non operating)	-	5~50Hz@0.5g (4.9m/s ²), & 50~500Hz@1.5g (14.7m/s ²) per Bellcore TR-EOP-000063-5.4.4				
Shock	-	196.1m/s ²				
Safety Agency Approvals	-	UL60950 (US and Canada), VDE0805 (IEC60950), CB scheme (IEC60950), CE Mark (LVD)				
Weight (max)	g	30.4				
Size	mm	58.4 x 22.9 x 8.8				
Warranty	yrs	3				

Notes: (1) Measured across one 0.1µF ceramic capacitor and one 10µF tantalum ceramic capacitor; BW = 20MHz

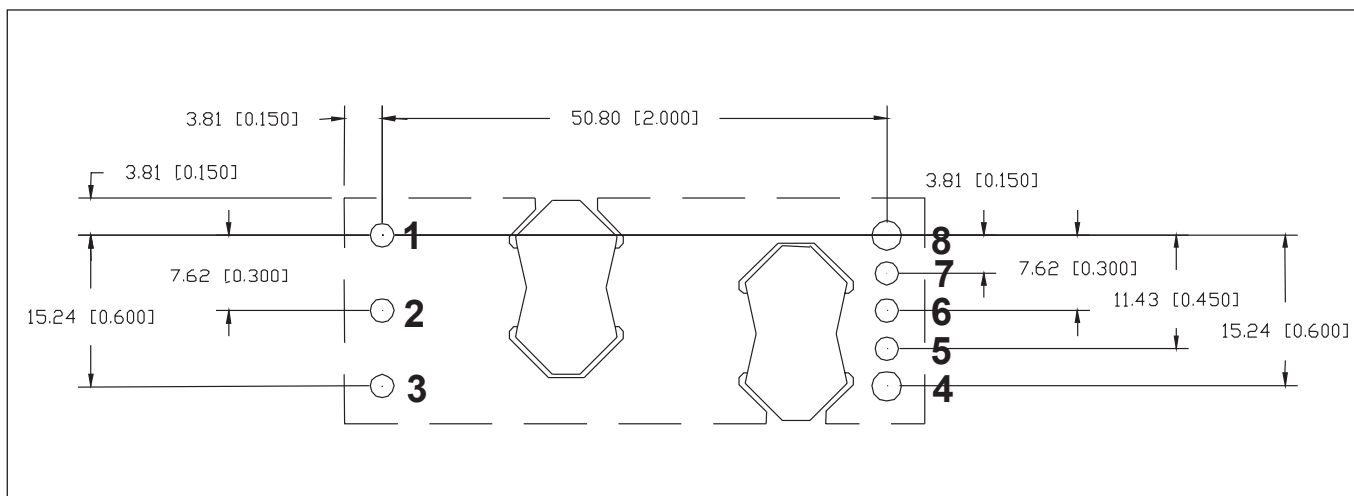
Model Selector

Model	Voltage Output (V)	Voltage Adjust (V)	Output Curr. (A)	Max. Output Power (W)	Efficiency at Full Load (%)	Pos. Logic On/Off	Neg. Logic On/Off
iEA48015A050V-000-R	5	4.5 - 5.5	15	75	90	X	
iEA48015A050V-001-R	5	4.5 - 5.5	15	75	90		X
iEA4W004A120V-003-R ⁽²⁾	12	-	4	48	91		X
iEA48007A120V-000-R	12	10.8 - 13.2	7	78	91	X	
iEA48007A120V-001-R	12	10.8 - 13.2	7	78	91		X
iEA48007A120V-005-R ⁽³⁾	12	10.8 - 13.2	6.5	78	91		X
iEA48005A150V-001-R	15	13.5 - 16.5	4.5	67.5	90		X
iEA48004A180V-001-R	18	16.2 - 19.8	3.75	67.5	90.5		X
iEA48003A280V-001-R	28	19.6 - 30.8	2.67	75	90		X

Note: (2) 0.11" pin length, input voltage 18 - 60V, (3) 0.2" pin length

Preferred

Recommended Footprint (Top view)



Pinout

Pin#	Function
1	Vin (+)
2	On / Off
3	Vin (-)
4	Vout (-)
5	Sense (-)
6	Trim
7	Sense (+)
8	Vout (+)



TDK-Lambda France SAS

ZAC des Delaches
 CS 41077
 9 rue Thuillere
 91978 Villebon Courtaboeuf
 France
 Tel: +33 1 60 12 71 65
 Fax: +33 1 60 12 71 66
france@fr.tdk-lambda.com
www.fr.tdk-lambda.com



Italy Sales Office

Via dei Lavoratori 128/130
 20092 Cinisello Balsamo (MI)
 Italy
 Tel: +39 02 61 29 38 63
 Fax: +39 02 61 29 09 00
info.italia@it.tdk-lambda.com
www.it.tdk-lambda.com



Netherlands

info@tdk-lambda.nl
www.tdk-lambda.nl



TDK-Lambda Germany GmbH

Karl-Bold-Strasse 40
 77855 Achern
 Germany
 Tel: +49 7841 666 0
 Fax: +49 7841 5000
info.germany@de.tdk-lambda.com
www.de.tdk-lambda.com



Austria Sales Office

Aredstrasse 22
 2544 Leobersdorf
 Austria
 Tel: +43 2256 655 84
 Fax: +43 2256 645 12
info.germany@de.tdk-lambda.com
www.de.tdk-lambda.com



Switzerland Sales Office

Bahnhofstrasse 50
 8305 Dietlikon
 Switzerland
 Tel: +41 44 850 53 53
 Fax: +41 44 850 53 50
info@de.tdk-lambda.com
www.de.tdk-lambda.com



TDK-Lambda UK Ltd.

Kingsley Avenue
 Ilfracombe
 Devon EX34 8ES
 United Kingdom
 Tel: +44 (0) 12 71 85 66 66
 Fax: +44 (0) 12 71 86 48 94
powersolutions@uk.tdk-lambda.com
www.uk.tdk-lambda.com



TDK-Lambda Ltd.

Kibbutz
 Givat Hashlosha 48800
 Israel
 Tel: +9 723 902 4333
 Fax: +9 723 902 4777
info@tdk-lambda.co.il
www.tdk-lambda.co.il




C.I.S.

Commercial Support:
 Tel: +7 (495) 665 2627
Technical Support:
 Tel: +7 (812) 658 0463
info@tdk-lambda.ru
www.tdk-lambda.ru

Local Distribution

Ihr Vertriebspartner:



Inselkammerstraße 10
 D-82008 Unterhaching
 Tel: +49 (0)89 614 503 10
 Fax: +49 (0)89 614 503 20
 E-Mail: power@hy-line.de
 URL: www.hy-line.de