



PAF600F

24V & 48V Input Full Brick DC-DC Converters

- 12V output for driving non-isolated converters
- Safety Approved
- Full power at 100°C baseplate
- Opto Isolated Remote On / Off
- Wide Adjustable Output Range

Key Market Segments & Applications

Central Office:	ATM, Sonet, DSL, ISDN, Frame Relay
Broadband:	Switching Equipment, Routers
Wireless/Cellular:	Micro Cells (larger in size/10 sq. mi.) Pico Cells (smaller in size/1 to 2 sq. mi.)
Remote Electronics:	Fixed Local Loop, Fiber Optic Transmission, Microwave Transmission, Wireless Local Loop Base Station Power Amplifiers

PAF600F Features and Benefits

Features

- Wide adjustment range
- Parallel Pin
- ASIC Design
- 24V & 48V Inputs

Benefits

- Reduces need for custom modules
- Modules can be connected together for higher current
- Reduced component count, increased MTBF
- Suitable for remote & central office applications

Specifications

ITEMS	MODEL	PAF600F24-12 PAF600F48-12		PAF600F24-28 PAF600F48-28	
		Nominal Output Voltage	VDC	12	
Output Current (Max)	A	50		21.5	
Output Power (Max)	W	600		602	
Efficiency (Typ)	%	89 to 90%			
Input Voltage Range	VDC	20-36 / 36-76		19-36 / 36-76	
Input Current (Typ) 24/48V input	A	28.9 / 14.2		28.9 / 14.1	
Output Voltage Accuracy	%	±1			
Output Voltage Adjustment	VDC	7.2 - 13.2		16.8 - 30.8	
Ripple & Noise (Max)	mV	200		280	
Line Regulation (Max)	mV	24		56	
Load Regulation (Max)	mV	24		56	
Temperature Coefficient	-	0.02%/°C			
Overcurrent Protection	%	105 - 140%			
Overvoltage Protection	%	115-135%			
Signals & Control	-	Remote sense, remote On/Off, Parallel Pin, DC Good, 7-10V Auxiliary voltage			
Operating Temperature	-	-40°C to +100°C baseplate			
Humidity (operating)	-	30-95% RH Non condensing			
Humidity (storage)	-	10-95% RH Non condensing			
Cooling	-	Conduction (See Installation Manual for heatsink selection)			
Isolation Voltage	VDC	Input - Baseplate 1500V, Input - Output 1500V, Output-Baseplate 500V (for 1 min.)			
Shock	-	196.1m/s ²			
Vibration	-	Non Operating, 10-55Hz (sweep for 1 min.) Amplitude 0.825mm constant (Max 49 m/s ²) X,Y,Z 1 hour each			
Safety Agency Approvals	-	UL60950-1, CSA60950-1, EN60950-1, CE LVD (48V model only)			
Weight (Typ)	g	250			
Size (WxHxD)	in(mm)	2.4 x 0.5 x 4.6 (61 x 12.7 x 116.8) See outline drawing			
Warranty	-	2 years			

Note: See Installation Manual for full details, test methods of parameters and application notes.

PAF600F Series

Ihr Vertriebspartner:

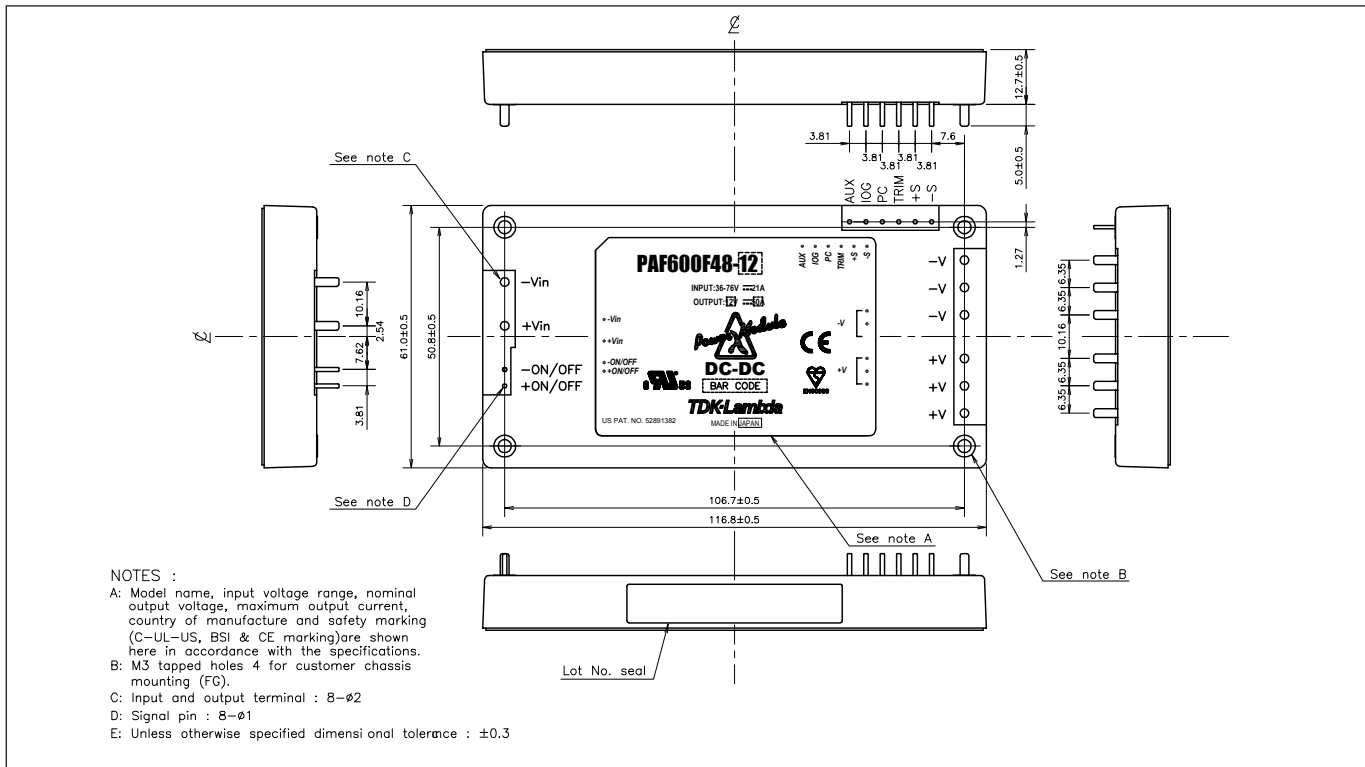
HY-LINE[®]
POWER COMPONENTS

Inselkammerstraße 10
D-82008 Unterhaching
Tel: +49 (0)89 614 503 10
Fax +49 (0)89 614 503 20
E-Mail: power@hy-line.de
URL: www.hy-line.de

Pinout	
Pin Description	Function
-Vin	Negative Input Terminal
+Vin	Positive Input Terminal
- ON/OFF	Remote On/Off Negative Terminal
+ON/OFF	Remote On/Off Positive Terminal
+V	Positive Output Terminal
-V	Negative Output Terminal
AUX	7-10V Aux Voltage
IOG	DC Good
PC	Parallel Control Connection
TRIM	Output Adjustment Trim Pin
+S	Positive Remote Sense
-S	Negative Remote Sense

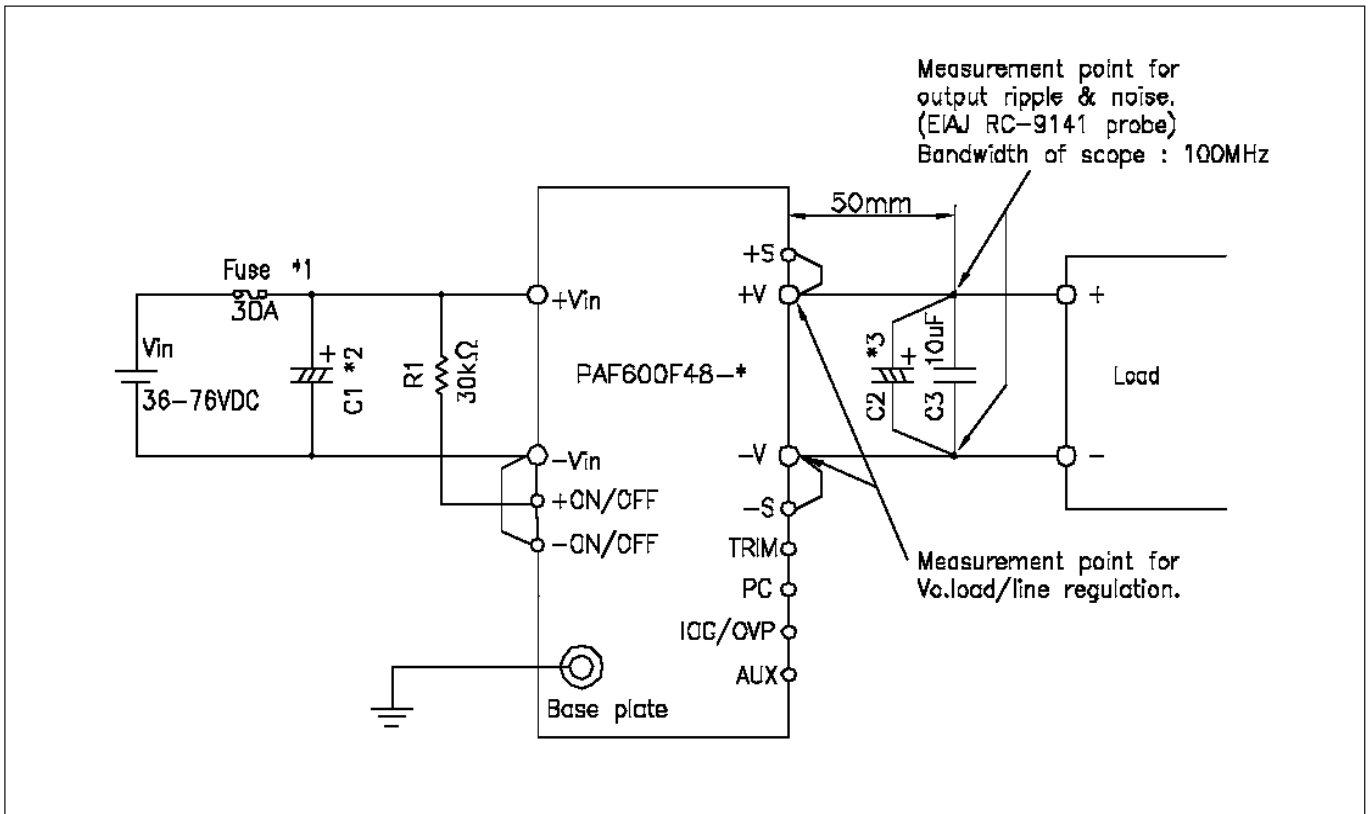
Options	
Suffix	Description
Blank	
/T	No thread in mounting holes

Outline Drawing PAF600F

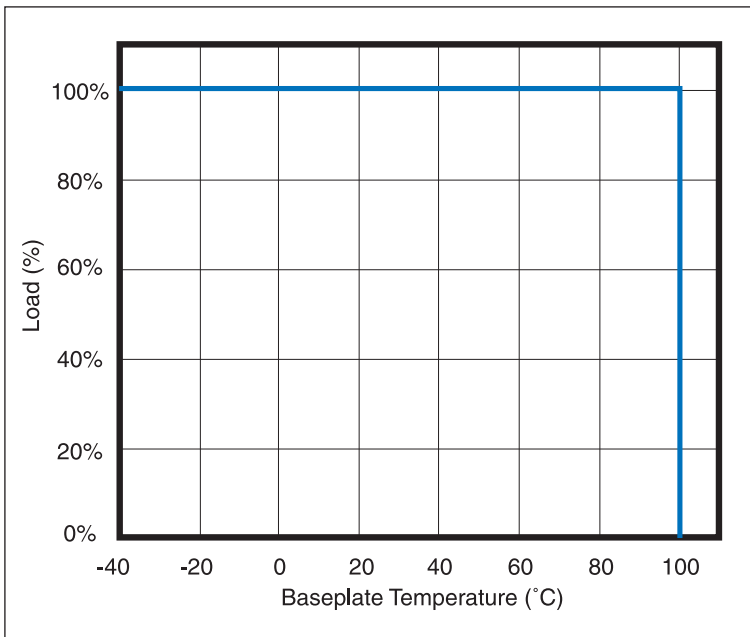


Heatsink Table		
Heatsink	Size (mm)	Thermal Resistance
HAF-10L	116.8 x 25.4 x 61	2.2°C/W
HAF-15L	116.8 x 38.1 x 61	1.9°C/W
HAF-15T	116.8 x 38.1 x 61	1.5°C/W

Connection Example



Derating Curve PAF600F Series



For full data and drawings please visit
www.emea.tdk-lambda.com/www/paf

TDK-LAMBDA EMEA

www.emea-tdk-lambda.com



TDK-Lambda France SAS

Route de Grivery
ZAC des Delaches
CS 41077
91978 Courtaboeuf Cedex
France
Tel: +33 1 60 12 71 65
Fax: +33 1 60 12 71 66
france@fr.tdk-lambda.com
www.fr.tdk-lambda.com



Italy Sales Office
Via dei Lavoratori 128/130
20092 Cinisello Balsamo (MI)
Italy
Tel: +39 02 61 29 38 63
Fax: +39 02 61 29 09 00
info.italia@it.tdk-lambda.com
www.it.tdk-lambda.com



TDK-Lambda Germany GmbH

Karl-Bold-Strasse 40
77855 Achern
Germany
Tel: +49 7841 666 0
Fax: +49 7841 5000
info.germany@de.tdk-lambda.com
www.de.tdk-lambda.com



Austria Sales Office
Aredstrasse 22
2544 Leobersdorf
Austria
Tel: +43 2256 655 84
Fax: +43 2256 645 12
info.germany@de.tdk-lambda.com
www.de.tdk-lambda.com



TDK-Lambda UK Ltd.

Kingsley Avenue
Ilfracombe
Devon EX34 8ES
United Kingdom
Tel: +44 (0) 12 71 85 66 66
Fax: +44 (0) 12 71 86 48 94
powersolutions@uk.tdk-lambda.com
www.uk.tdk-lambda.com



Nemic Lambda Ltd.

Kibbutz
Givat Hashlosha 48800
Israel
Tel: +9 723 902 4333
Fax: +9 723 902 4777
info@nemic.co.il
www.nemic.co.il



Russia

Technical Support:
St Petersburg
Tel: +7 (812) 6580463
Sales:
Moscow
Tel: +7 (499) 7557732
info@tdk-lambda.ru
www.tdk-lambda.ru

LOCAL DISTRIBUTION

Ihr Vertriebspartner:
HY-LINE[®]
POWER COMPONENTS

Inselkammerstraße 10
D-82008 Unterhaching
Tel: +49 (0)89 614 503 10
Fax +49 (0)89 614 503 20
E-Mail: power@hy-line.de
URL: www.hy-line.de