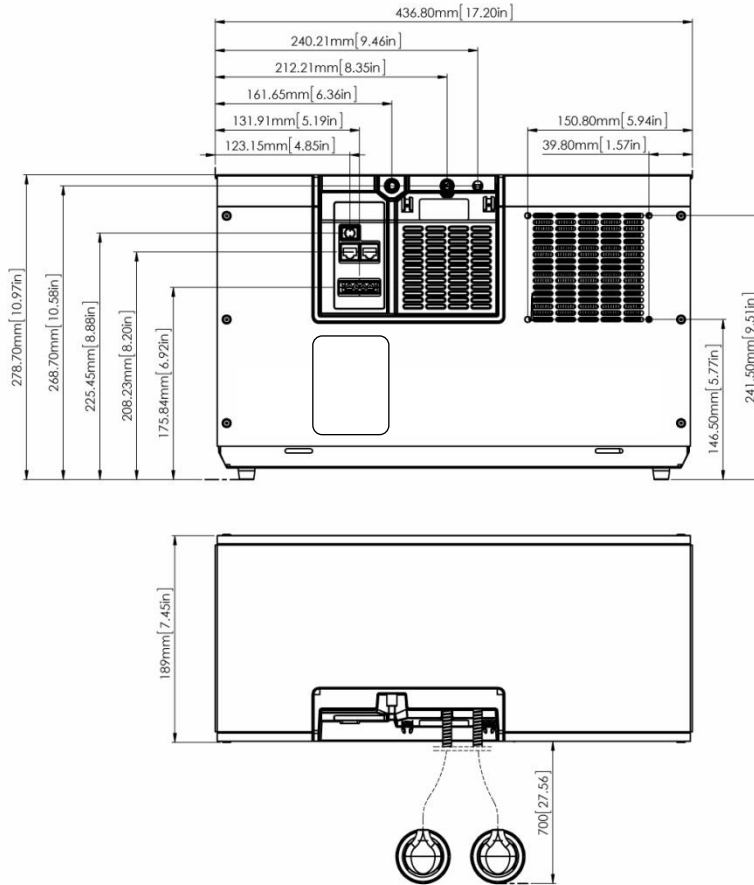
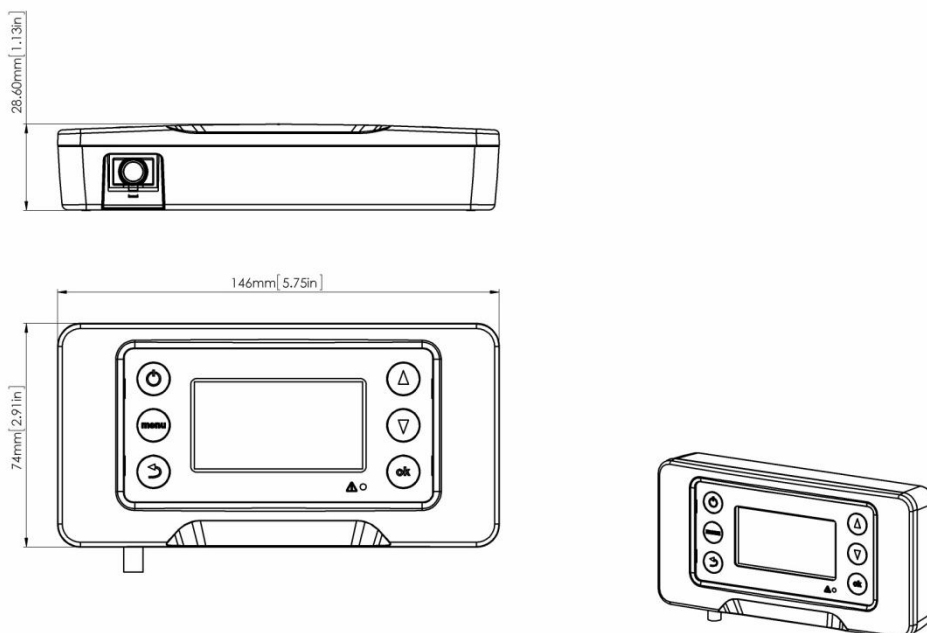


EFOY Pro fuel cell



Operation Panel OP2



Exhaust Hose

Inside diameter:	6 mm (0.24 in)
Outside diameter:	10 mm (0.39 in)
Length:	1.5 m (59.05 in)

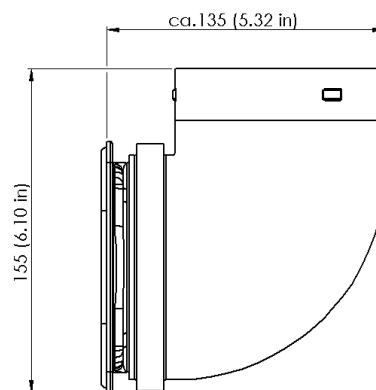
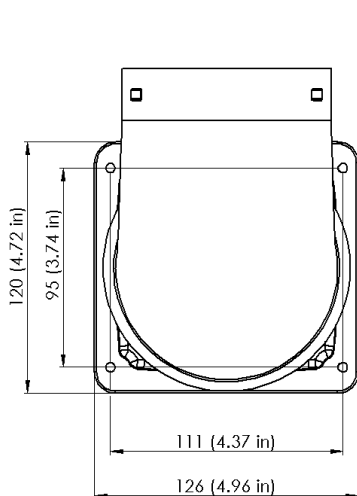
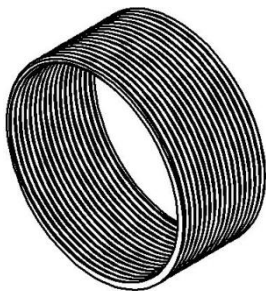
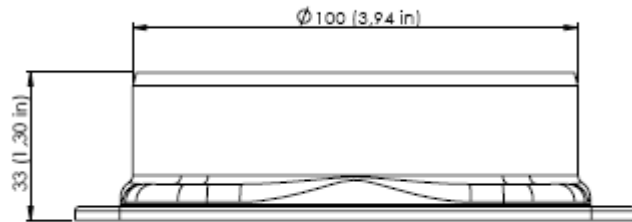
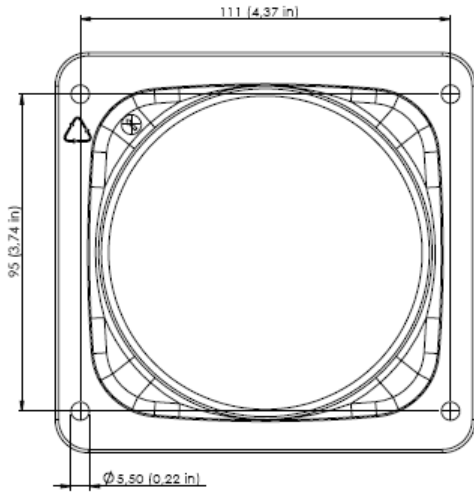
Charge Line CL4

Connecting line to fuel cell	1 m (39.37 in)
Battery Fuse – Sense (2A) BF1	0.5 m (19.68 in)
Battery Fuse – Power (15 A) BF2	0.5 m (19.68 in)
Extension sense line	8 m (26.25 ft)
Extension power line	8 m (26.25 ft)

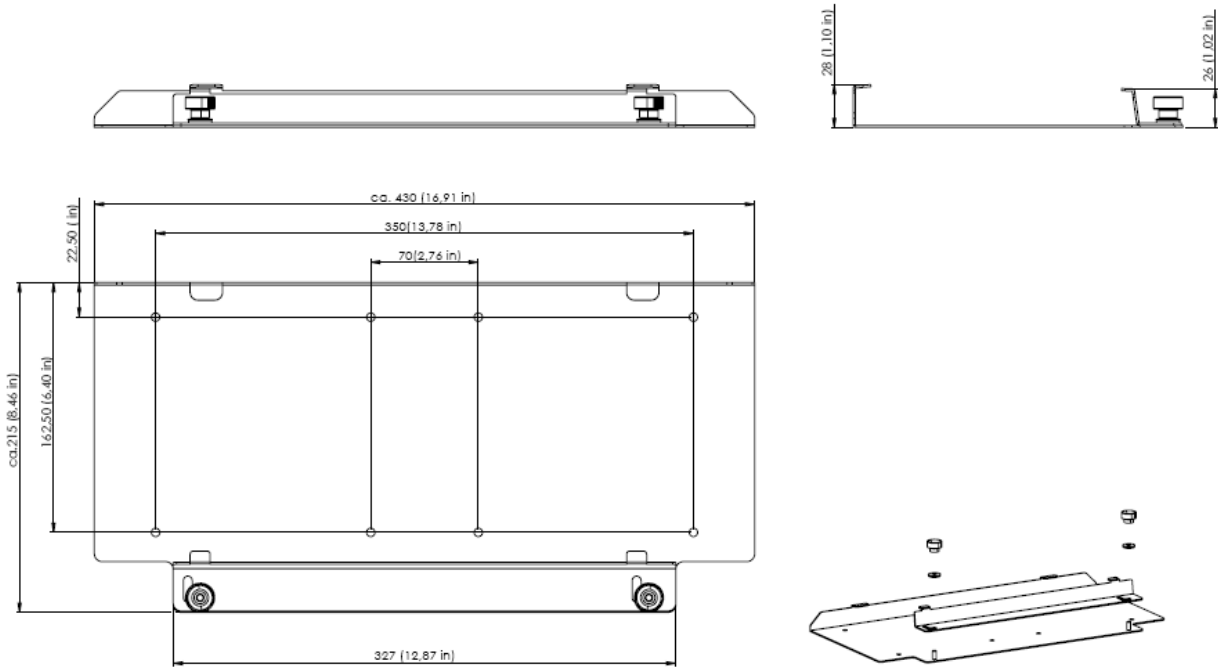
Off Heat Set

Off Heat Hose diameter 100 mm (3.94 in)

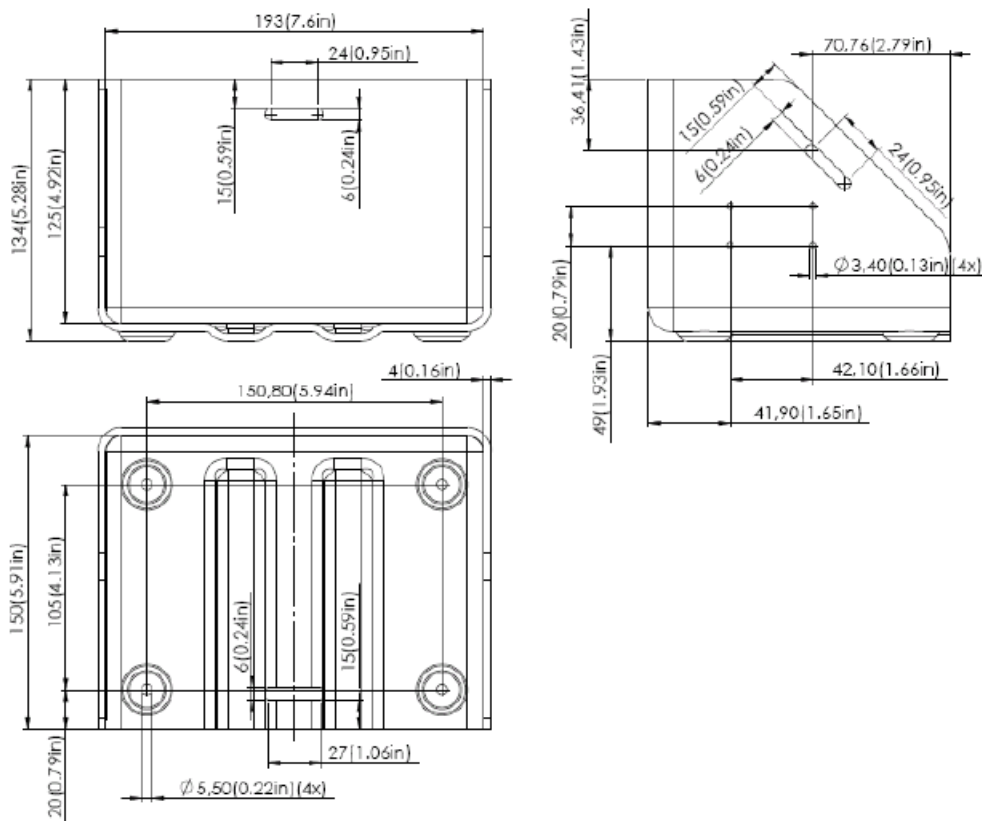
Off Heat Hose length (app.) 750 mm (29.53in)



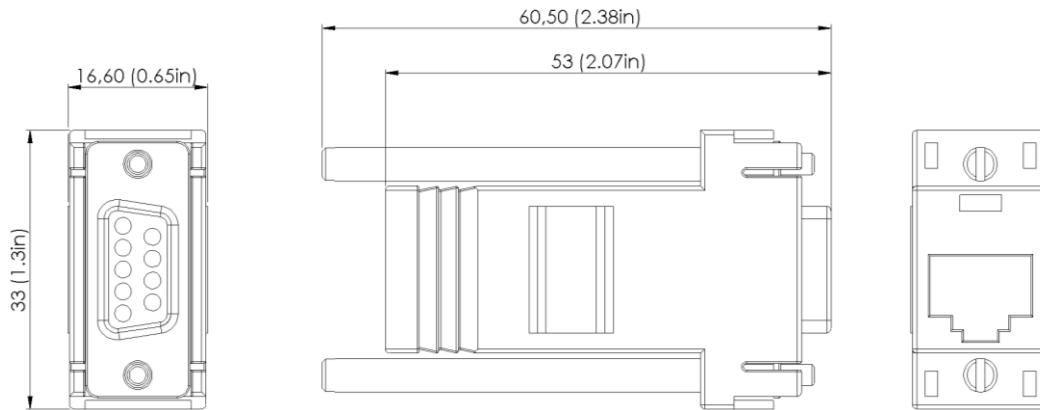
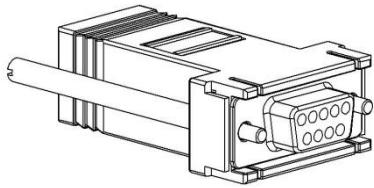
Mounting Plate



Fuel Cartridge Holder



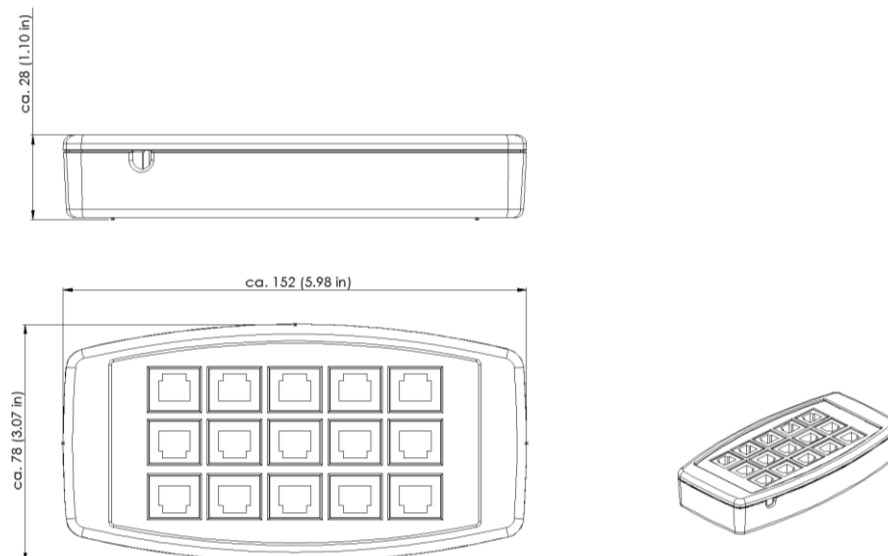
Interface Adapter IA1



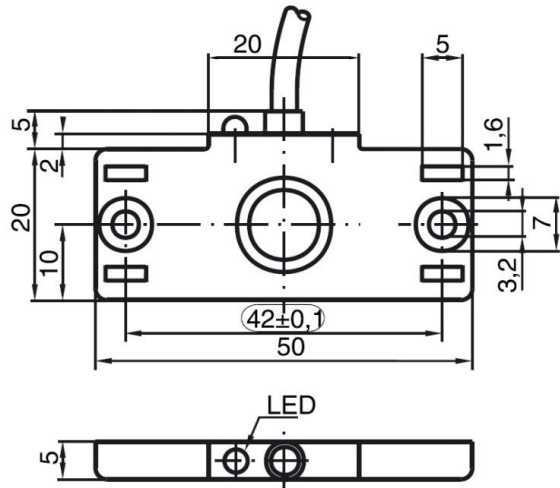
Data Line DL1

Data line 5 m (16.40 ft)

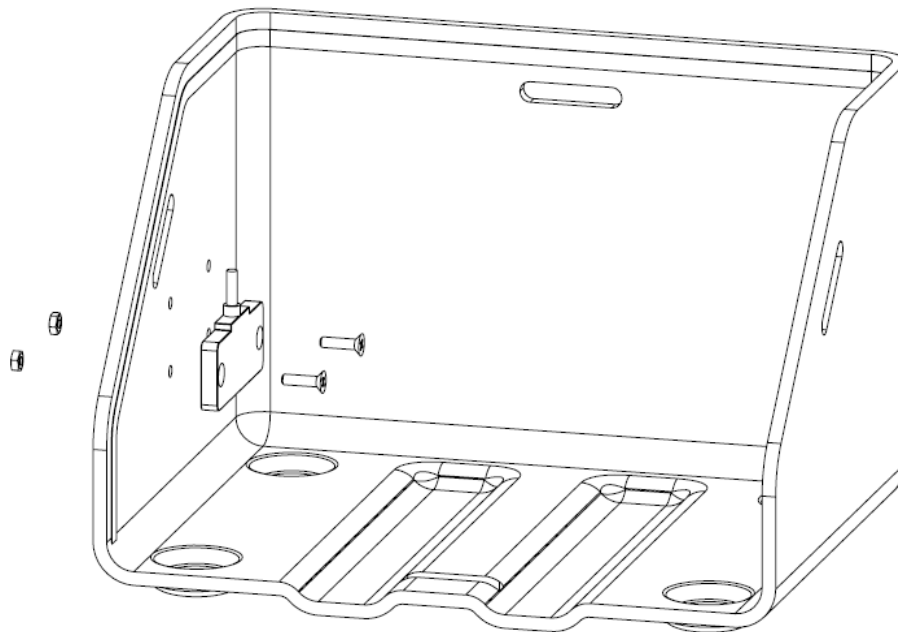
Cluster Controller CC1



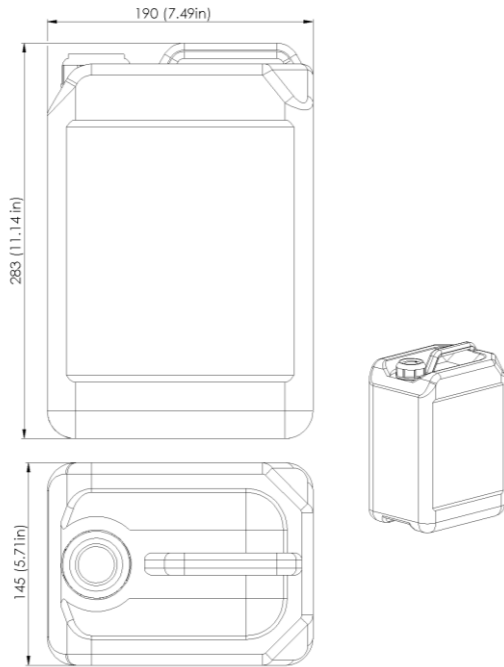
Fuel Cartridge Sensor FS1



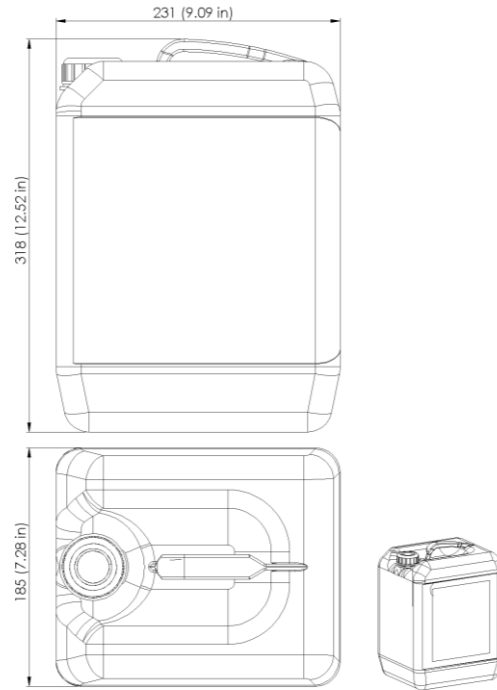
FS1 mounting instructions



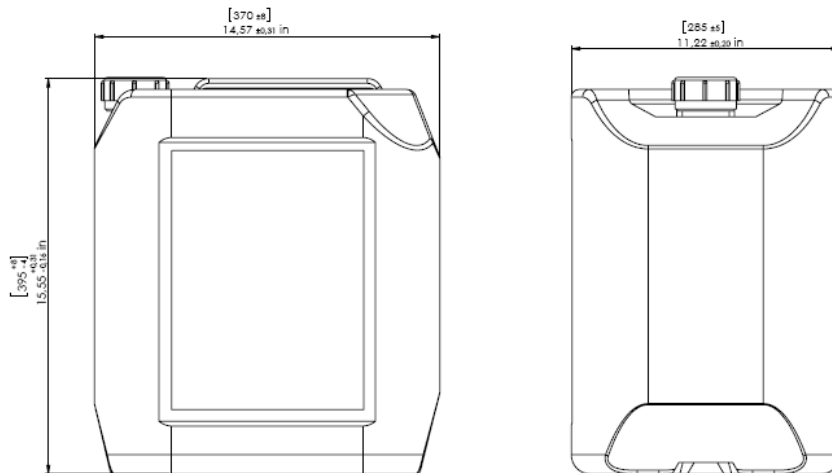
Fuel Cartridge M5



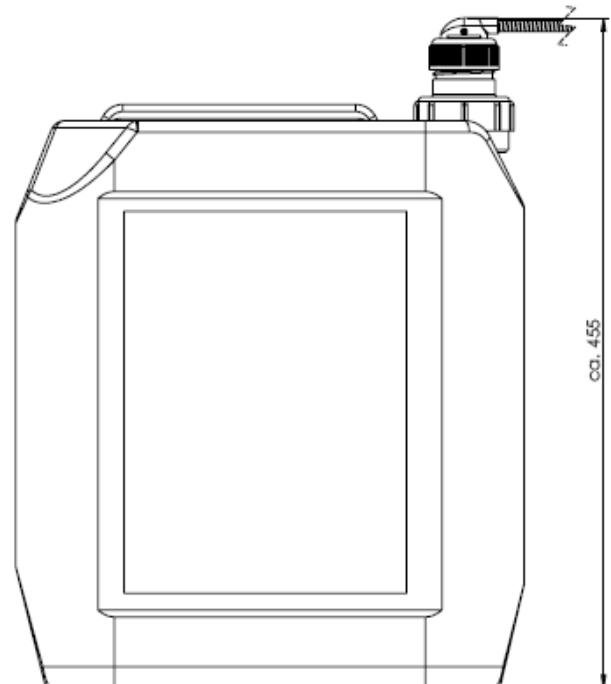
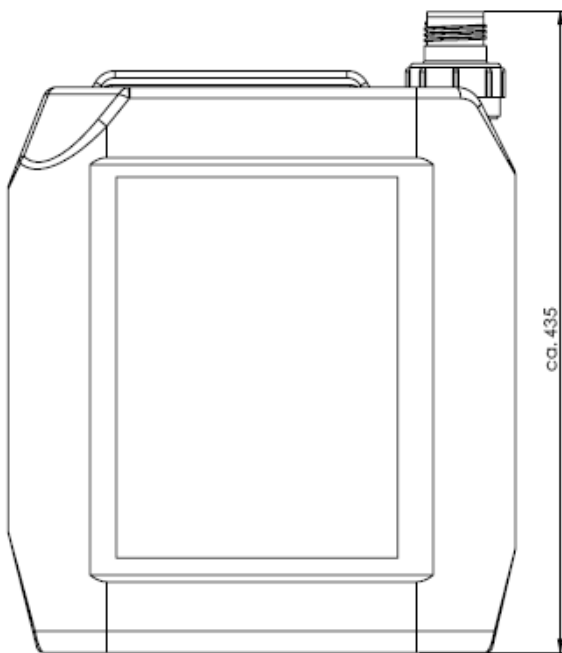
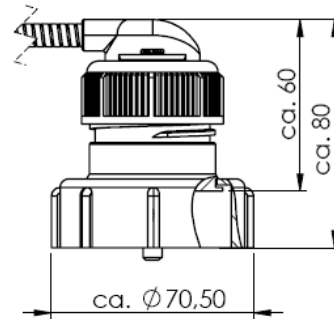
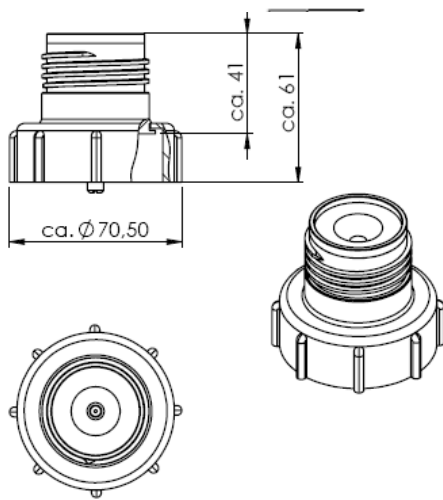
Fuel Cartridge M10



Fuel Cartridge M28



M28 Adapter (dimensions in mm)



Headquaters Europe:

SFC Energy AG
Eugen-Saenger-Ring 7
D-85649 Brunenthal-Nord, Germany

Hotline: +49 89 673 592 - 555

Fax: +49 89 673 592 369

service@sfc.com

www.efoy-pro.com

USA:

SFC Energy Inc.
7632 Standish Place
Rockville, MD 20855, USA

Phone: +1 240 328 6688

Fax: +1 240 328 6694

service-USA@sfc.com